

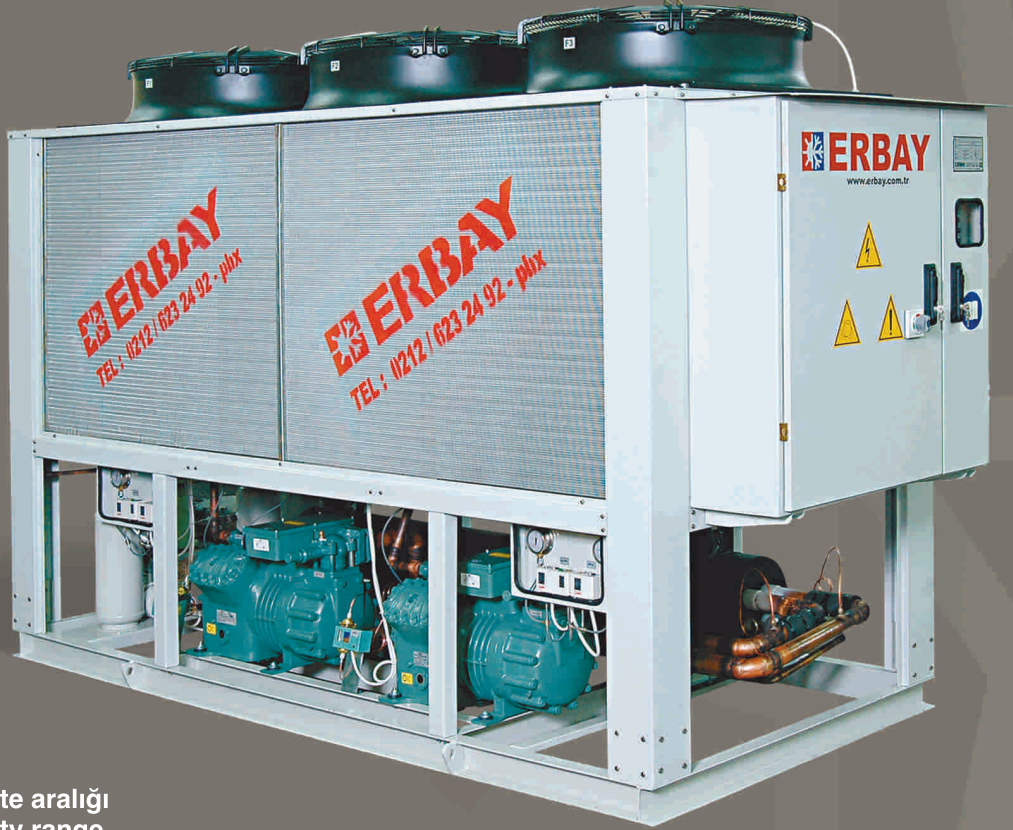
Hava soğutmalı kondenserli **Soğuk su üretici gruplar**

Air cooled **Water chillers**

Pistonlu kompresörlü • Mikroişlemci kontrollü
Reciprocating compressors • Microprocessor controlled

Klima sistemleri,
Proses soğutmaları,
Sanayi tesisleri ve
Muhtelif maksatlar için

For air-conditioning systems,
Process cooling,
Industrial plants and
Various purpose



Kapasite aralığı
Capacity range
51.2 kW - 413.8 kW

Cihaz Tanımı Unit Description

Fabrikamızda veya montaj mahalinde çalışır vaziyette teslim edilen soğuk su üretici gruplar kapasite tablosundaki soğuk su çıkış sıcaklıklarını verecek şekilde dizayn edilmiştir. Kompakt ünite şeklindeki grupların kapasitesi 51.2 kW ile 413.8 kW arasında değişmekte olup, aşağıdaki kısımlardan müteşekkildir.

Soğutma kompresörü: Kapasiteye göre 1 veya 2 adet yarı kapalı (yarı hermetik) pistonlu kompresör kullanılmaktadır. Kompresörün tüm parçalarına müdahale etme ve bakım yapma kolaylığı sağlanmıştır. Gerekli şebeke gerilimi; 3 faz - 400 Volt- 50 Hz'dir.

Kondenser (Yoğuşturucu): Hava soğutmalı kondenserler bakır boru ve alüminyum lamelli olarak imal edilmektedir. Soğutucu akışkanın yoğuşmasını sağlamak üzere motoru ile direkt akupile yüksek verimli aksiyal fan, cihaz üzerine monte edilmiştir.

Evaporatör (Chiller): Shell & tube tipinde, özel yüksek verimli bakır boruların çelik ayna deliklerine makinetto ile tesbit edilerek üretilmiştir. Boru demetinin sökülebilir olması bakım ve temizlik imkanı sağlar.

Elektrik kumanda panosu: Cihazın tam otomatik çalışmasını sağlamak üzere yeterli miktarda kontaktör, termik, sigorta ve şalter ile teçhiz edilmiştir. Gerekli şebeke gerilimi; 3 faz - 400 Volt - 50 Hz'dir.

Mikroişlemci kontrol sistemi: Cihazda mikroişlemci kontrol sistemi kullanılmaktadır. Bu sayede su giriş ve çıkış sıcaklıkları, kompresörlerin çalışma zamanları ve sistemde oluşacak tüm arızalar ekranda digital olarak görülebilmekte ve kolaylıkla kapasite kontrol yapılabilmektedir. Ayrıca her kompresörün çalışma süreleri otomatik olarak dengede tutulmakta ve cihazın optimum verimde çalışması sağlanmaktadır.

Soğutma devresi elemanları: Cihazın otomatik ve güvenli şekilde çalışması için; drayer-filtre, gözetleme camı, termostatik genişleme valfi, solenoid valf, alçak-yüksek basınç presostatı, su akış kontrol otomatığı, soğutma valfleri, su ve hava tahliye vanaları konmuştur.

Water Chillers that are delivered in our factory or at the montage location in operatable conditions are designed to provide chilled water leaving temperatures which are given in capacity table. The capacity of the compact type water chillers composed of the following parts, varying between 51,2 kW and 413,8 kW.

Cooling compressor: 1 or 2 pieces semi-hermetic reciprocating compressors are used according to capacity. Ability to reach and apply maintenance to each part of compressor is provided. Required power supply is 3 ph - 400 Volt - 50 Hz.

Condenser: Air cooled condensers are manufactured by copper pipes and aluminum fins. High efficient axial fan which is directly coupled with motor is mounted on the device to provide condensation of the refrigerant.

Chiller: Manufactured in Shell&Tube form and special high efficient copper pipes by the way of fixing to grooved steel tubesheet holes with tube expander method. It's allowed to maintenance and clean up because of the removable tube bundle.

Electrical control panel: Equipped with enough number of contactors, thermics, fuses and on-off switches so as to operate the machine full automatically. Required power supply is 3 ph - 400 Volt - 50 Hz.

Microprocessor control system: Microprocessor control system is used on the device. By means of this entering and leaving water temperatures, operating times of compressors and all faults occurred on the system can be seen on the digital screen and also capacity control can be made easily. The operating times of each compressor is balanced automatically and optimum efficient operation of the device is provided.

Components of the cooling circuit: For the machine to operate automatically and securely; drier filter, sight glass, thermostatic expansion valve, solenoid valve, low-high pressure switch, water flow-switch, liquid shut-off valves, discharging valves for water and air are included.

Teknik Özellikler Technical Specifications

CİHAZ TİPİ TYPE		EBHP- 30.1	EBHP- 33.1	EBHP- 35.1	EBHP- 40.1	EBHP- 50.1	EBHP- 60.1	EBHP- 70.1	EBHP- 35.2	EBHP- 40.2	EBHP- 50.2	EBHP- 60.2	EBHP- 70.2
Nominal Kapasite (kW)(1) <i>Nominal Capacity</i>	R407C(2)	65,1	73,9	86,2	97,7	118,3	148,4	175,6	172,3	195,3	236,5	296,8	351,2
	R22	71,5	81,0	93,7	107,3	126,7	159,7	180,2	187,3	214,5	253,4	319,3	360,4
Kompresör Adedi <i>Number of Compressors</i>		1	1	1	1	1	1	1	2	2	2	2	2
Komp. Motor Gücü (kW) (1) <i>Compressor Motor Power</i>		20,6	22,6	26,1	30,9	38,3	46,6	58,1	52,2	61,8	76,6	93,2	116,2
Kapasite Kontrol Adımı <i>Capacity Control Steps</i>		2	2	2	2	2	2	2	4	4	4	4	4
Fan Adedi <i>Number of Fans</i>		2	2	2	2	3	3	3	3	4	6	6	6
Cihazın Toplam Gücü (kW) <i>Unit Total Power</i>		24,2	26,2	29,7	34,5	43,7	52,0	63,5	57,6	69,0	87,4	104,0	127,0
İşletme Ağırlığı ~ (kg) <i>Operating Weight</i>		1050	1100	1150	1220	1330	1570	1780	2020	2200	2390	2870	3130

- 1) 12°C su giriş, 7°C su çıkış ve 33°C dış hava sıcaklığına göre verilmiştir.
Values are based on entering/leaving water temp. 12°C/7°C and ambient temp. 33°C
- 2) Evaporasyon ve kondenzasyon sıcaklıklarının çığ noktasındaki değerlerine göre verilmiştir.
Values are based on the Dew Point of evaporating and condensing temperatures.

Kapasite Tablosu Capacity Table (kW)

R407C

CİHAZ TİPİ TYPE	SU ÇIKIŞI °C CHILLED WATER LEAVING	KONDENSERE HAVA GİRİŞ SICAKLIĞI / CONDENSER ENTERING AIR TEMP.															
		30°C		32°C		34°C		36°C		38°C		40°C		42°C		44°C	
		Q	N ₀	Q	N ₀	Q	N ₀	Q	N ₀	Q	N ₀	Q	N ₀	Q	N ₀	Q	N ₀
EBHP-30Y.1	6	65.4	19.5	63.4	20.0	61.4	20.5	59.3	21.0	57.3	21.4	55.3	21.9	53.2	22.3	51.2	22.6
	7	68.2	19.8	66.1	20.3	64.1	20.8	62.0	21.3	59.9	21.8	57.8	22.2	55.7	22.6	53.5	23.0
	8	71.1	20.0	69.0	20.5	66.8	21.1	64.7	21.6	62.5	22.1	60.4	22.5	58.2	23.0	56.0	23.4
	9	74.1	20.2	71.9	20.8	69.7	21.3	67.5	21.8	65.3	22.4	63.0	22.8	60.8	23.3	58.5	23.7
	10	77.2	20.4	75.0	21.0	72.7	21.6	70.4	22.1	69.1	22.6	65.8	23.2	63.4	23.6	61.1	24.1
EBHP-33Y.1	6	74.0	20.7	71.8	21.3	69.7	21.8	67.5	22.3	65.4	22.9	63.3	23.4	61.2	23.9	59.1	24.4
	7	77.2	20.9	75.0	21.5	72.8	22.1	70.6	22.6	68.4	23.2	66.2	23.7	64.0	24.2	61.8	24.8
	8	80.6	21.1	78.3	21.7	76.0	22.3	73.7	22.9	71.4	23.5	69.1	24.0	66.9	24.6	64.6	25.1
	9	84.0	21.4	81.6	22.0	79.2	22.6	76.9	23.2	74.5	23.8	72.2	24.3	69.9	24.9	67.5	25.2
	10	87.5	21.6	85.1	22.2	82.6	22.8	80.2	23.4	77.8	24.0	75.3	24.6	72.9	25.2	70.5	25.8
EBHP-35Y.1	6	86.3	25.0	83.8	25.7	81.4	26.4	78.9	27.1	76.4	27.8	74.0	28.5	71.5	29.1	69.1	29.8
	7	90.0	25.2	87.4	26.0	84.9	26.7	82.3	27.4	79.8	28.2	77.2	28.9	74.7	29.6	72.2	30.2
	8	93.8	25.5	91.1	26.2	88.5	27.0	85.9	27.8	83.2	28.5	80.6	29.3	78.0	30.0	75.4	30.7
	9	97.7	25.7	95.0	26.5	92.2	27.3	89.5	28.1	86.8	28.9	84.1	29.7	81.4	30.4	78.7	31.2
	10	101.7	25.9	98.9	26.8	96.1	27.6	93.3	28.4	90.5	29.2	87.7	30.0	84.9	30.8	82.1	31.6
EBHP-40Y.1	6	98.1	29.2	95.1	29.9	92.1	30.7	89.0	31.4	86.0	32.0	82.9	32.6	79.9	33.2	76.8	33.8
	7	102.3	29.5	99.2	30.3	96.1	31.1	93.0	31.8	89.8	32.5	86.7	33.1	83.5	33.8	80.4	34.3
	8	106.7	29.8	103.5	30.7	100.3	31.4	97.1	32.2	93.8	32.9	90.6	33.6	87.3	34.3	84.0	34.9
	9	111.2	30.1	108.0	31.0	104.6	31.8	101.3	32.6	97.9	33.4	94.6	34.1	91.2	34.8	87.8	35.4
	10	115.9	30.4	112.5	31.3	109.1	32.2	105.6	33.0	102.2	33.8	98.7	34.6	95.2	35.3	91.7	36.0
EBHP-50Y.1	6	118.2	35.3	115.0	36.3	111.9	37.3	108.7	38.2	105.5	39.3	102.3	40.3	99.2	41.3	96.0	42.3
	7	123.2	35.7	119.9	36.7	116.6	37.7	113.3	38.8	110.1	39.8	106.8	40.9	103.5	41.9	100.3	43.0
	8	128.3	36.1	125.0	37.1	121.6	38.2	118.2	39.3	114.8	40.4	111.4	41.5	108.0	42.6	104.6	43.7
	9	133.6	36.5	130.1	37.6	126.6	38.7	123.1	39.8	119.6	40.9	116.1	42.0	112.6	43.2	109.2	44.3
	10	139.1	36.9	135.5	38.0	131.9	39.1	128.3	40.3	124.6	41.4	121.0	42.6	117.4	43.8	113.8	45.0
EBHP-60Y.1	6	148.7	43.5	144.4	44.6	140.2	45.7	135.9	46.8	131.7	47.8	127.5	48.8	123.3	49.7	119.3	50.6
	7	154.9	44.0	150.6	45.2	146.2	46.3	141.8	47.4	137.4	48.5	133.1	49.5	128.8	50.5	124.7	51.5
	8	161.3	44.5	156.8	45.7	152.3	46.9	147.8	48.0	143.3	49.2	138.8	50.3	134.4	51.3	130.1	52.3
	9	167.9	44.9	163.3	46.2	158.7	47.5	154.0	48.7	149.4	49.8	144.8	51.0	140.2	52.1	135.8	53.2
	10	174.7	45.4	170.0	46.7	165.2	48.0	160.4	49.3	155.6	50.5	150.9	51.7	146.2	52.8	141.6	54.0
EBHP-70Y.1	6	176.0	53.1	171.0	54.4	165.9	55.8	160.8	57.0	155.7	58.3	150.7	59.5	145.8	60.6	141.0	61.8
	7	183.4	53.7	178.2	55.1	173.0	56.5	167.7	57.8	162.5	59.1	157.6	60.4	152.3	61.6	147.3	62.8
	8	191.0	54.3	185.7	55.8	180.3	57.2	174.9	58.6	169.5	60.0	164.2	61.3	159.0	62.6	153.8	63.8
	9	198.8	54.8	193.3	56.4	187.8	57.9	182.3	59.4	176.7	60.8	171.3	62.2	165.8	63.5	160.5	64.8
	10	206.9	55.3	201.2	57.0	195.6	58.5	189.9	60.1	184.2	61.6	178.5	63.0	172.9	64.4	167.4	65.8
EBHP-35Y.2	6	172.6	25.0x2	167.6	25.7x2	162.8	26.4x2	157.8	27.1x2	152.8	27.8x2	148.0	28.5x2	143.0	29.1x2	138.2	29.8x2
	7	180.0	25.2x2	174.8	26.0x2	169.8	26.7x2	164.6	27.4x2	159.6	28.2x2	154.4	28.9x2	149.4	29.6x2	144.4	30.2x2
	8	187.6	25.5x2	182.2	26.2x2	177.0	27.0x2	171.8	27.8x2	166.4	28.5x2	161.2	29.3x2	156.0	30.0x2	150.8	30.7x2
	9	195.4	25.7x2	190.0	26.5x2	184.4	27.3x2	179.0	28.1x2	173.6	28.9x2	168.2	29.7x2	162.8	30.4x2	157.4	31.2x2
	10	203.4	25.9x2	197.8	26.8x2	192.2	27.6x2	186.6	28.4x2	181.0	29.2x2	175.4	30.0x2	169.8	30.8x2	164.2	31.6x2
EBHP-40Y.2	6	196.2	29.2x2	190.2	29.9x2	184.2	30.7x2	178.0	31.4x2	172.0	32.0x2	165.8	32.6x2	159.8	33.2x2	153.6	33.8x2
	7	204.6	29.5x2	198.4	30.3x2	192.2	31.1x2	186.0	31.8x2	179.6	32.5x2	173.4	33.1x2	167.0	33.8x2	160.8	34.3x2
	8	213.4	29.8x2	207.0	30.7x2	200.6	31.4x2	194.2	32.2x2	187.6	32.9x2	181.2	33.6x2	174.6	34.3x2	168.0	34.9x2
	9	222.4	30.1x2	216.0	31.0x2	209.2	31.8x2	202.6	32.6x2	195.8	33.4x2	189.2	34.1x2	182.4	34.8x2	175.6	35.4x2
	10	231.8	30.4x2	225.0	31.3x2	218.2	32.2x2	211.2	33.0x2	204.4	33.8x2	197.4	34.6x2	190.4	35.3x2	183.4	36.0x2
EBHP-50Y.2	6	236.4	35.3x2	230.0	36.3x2	223.8	37.3x2	217.4	38.2x2	211.0	39.3x2	204.6	40.3x2	198.4	41.3x2	192.0	42.3x2
	7	246.4	35.7x2	239.8	36.7x2	233.2	37.7x2	226.6	38.8x2	220.2	39.8x2	213.6	40.9x2	207.0	41.9x2	200.6	43.0x2
	8	256.6	36.1x2	250.0	37.1x2	243.2	38.2x2	236.4	39.3x2	229.6	40.4x2	222.8	41.5x2	216.0	42.6x2	209.2	43.7x2
	9	267.2	36.5x2	260.2	37.6x2	253.2	38.7x2	246.2	39.8x2	239.2	40.9x2	232.2	42.0x2	225.2	43.2x2	218.4	44.3x2
	10	278.2	36.9x2	271.0	38.0x2	263.8	39.1x2	256.6	40.3x2	249.2	41.4x2	242.0	42.6x2	234.8	43.8x2	227.6	45.0x2
EBHP-60Y.2	6	297.4	43.5x2	288.8	44.6x2	280.4	45.7x2	271.8	46.8x2	263.4	47.8x2	255.0	48.8x2	246.6	49.7x2	238.6	50.6x2
	7	309.8	44.0x2	301.2	45.2x2	292.4	46.3x2	283.6	47.4x2	274.8	48.5x2	266.2	49.5x2	257.6	50.5x2	249.4	51.5x2
	8	322.6	44.5x2	313.6	45.7x2	304.6	46.9x2	295.6	48.0x2	286.6	49.2x2	277.6	50.3x2	268.8	51.3x2	260.2	52.3x2
	9	335.8	44.9x2	326.6	46.2x2	317.4	47.5x2	308.0	48.7x2	298.8	49.8x2	289.6	51.0x2	280.4	52.1x2	271.6	53.2x2
	10	349.4	45.4x2	340.0	46.7x2	330.4	48.0x2	320.8	49.3x2	311.2	50.5x2	301.8	51.7x2	292.4	52.8x2	283.2	54.0x2
EBHP-70Y.2	6	352.0	53.1x2	342.0	54.4x2	331.8	55.8x2	321.6	57.0x2	311.4	58.3x2	301.4	59.5x2	291.6	60.6x2	282.0	61.8x2
	7	366.8	53.7x2	356.4	55.1x2	346.0	56.5x2	335.4	57.8x2	325.0	59.1x2	315.2	60.4x2	304.6	61.6x2	294.6	62.8x2
	8	382.0	54.3x2	371.4	55.8x2	360.6	57.2x2	349.8	58.6x2	339.0	60.0x2	328.4	61.3x2	318.0	62.6x2	307.6	63.8x2
	9	397.6	54.8x2	386.6	56.4x2	375.6	57.9x2	364.6	59.4x2	353.4	60.8x2	342.6	62.2x2	331.6	63.5x2	321.0	64.8x2
	10	413.8	55.3x2	402.4	57.0x2	391.2	58.5x2	379.8	60.1x2	368.4	61.6x2	357.0	63.0x2	345.8	64.4x2	334.8	65.8x2

Q = Soğutma kapasitesi (kW) / Cooling Capacity, N₀ = Kompresör mil gücü (kW) / Power Input

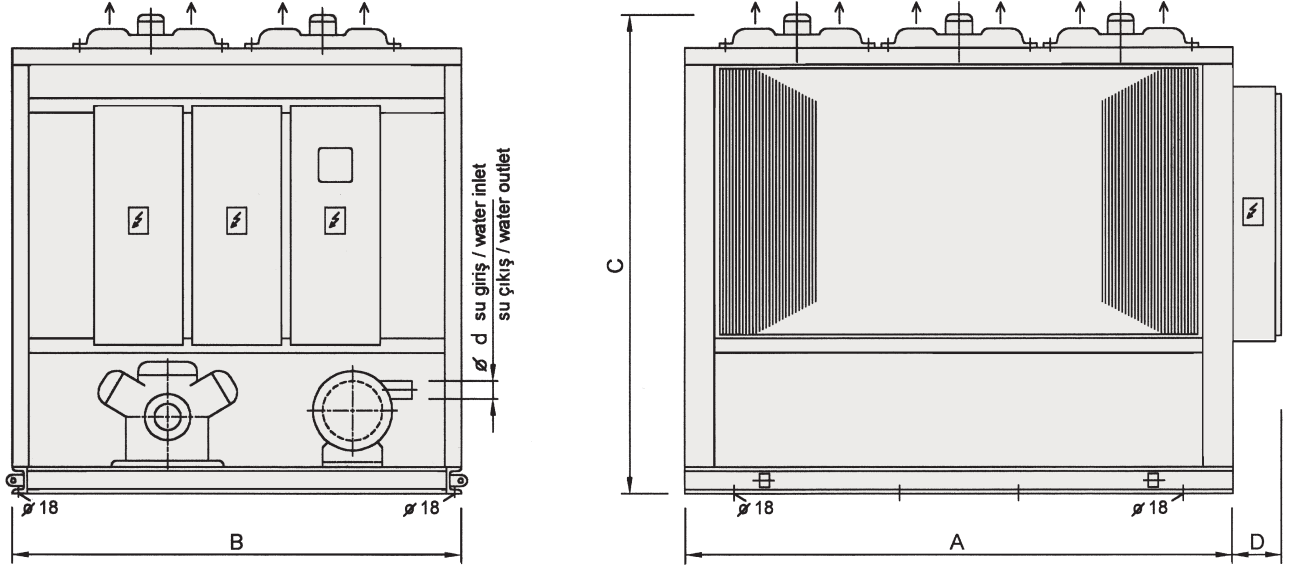
Kapasite Tablosu Capacity Table (kW)

R22

CİHAZ TİPİ TYPE	SU ÇIKIŞI °C CHILLED WATER LEAVING	KONDENSERE HAVA GİRİŞ SICAKLIĞI / CONDENSER ENTERING AIR TEMP.															
		30°C		32°C		34°C		36°C		38°C		40°C		42°C		44°C	
		Q	N ₀	Q	N ₀	Q	N ₀	Q	N ₀	Q	N ₀	Q	N ₀	Q	N ₀	Q	N ₀
EBHP-30.1	6	71.0	19.5	69.5	20.1	68.0	20.7	66.5	21.3	65.0	21.9	63.6	22.5	62.1	23.2	60.7	23.9
	7	73.8	19.7	72.3	20.3	70.7	20.9	69.2	21.5	67.6	22.2	66.1	22.8	64.7	23.5	63.2	24.3
	8	76.7	20.0	75.1	20.5	73.5	21.2	71.9	21.8	70.3	22.5	68.8	23.1	67.2	23.9	65.7	24.6
	9	79.7	20.2	78.0	20.8	76.3	21.4	74.7	22.1	73.1	22.7	71.5	23.4	69.9	24.2	68.3	25.0
	10	82.7	20.4	81.0	21.0	79.3	21.6	77.6	22.3	75.9	23.0	74.3	23.7	72.7	24.5	71.0	25.3
EBHP-33.1	6	80.7	21.4	78.8	22.0	77.0	22.6	75.1	23.2	73.2	23.9	71.4	24.5	69.6	25.2	67.7	25.9
	7	83.9	21.6	82.0	22.3	80.0	22.9	78.1	23.5	76.2	24.1	74.3	24.8	72.4	25.5	70.5	26.3
	8	87.1	21.9	85.2	22.5	83.2	23.1	81.2	23.8	79.2	24.4	77.3	25.1	75.3	25.9	73.4	26.6
	9	90.5	22.1	88.5	22.7	86.4	23.4	84.4	24.0	82.3	24.7	80.3	25.4	78.3	26.2	76.3	27.0
	10	94.0	22.3	91.9	22.9	89.7	23.6	87.6	24.3	85.5	25.0	83.5	25.7	81.4	26.5	79.3	27.3
EBHP-35.1	6	93.0	24.8	91.1	25.5	89.1	26.2	87.1	26.9	85.2	27.7	83.2	28.4	81.3	29.3	79.4	30.1
	7	96.7	25.0	94.7	25.7	92.6	26.5	90.6	27.2	88.6	28.0	86.6	28.8	84.6	29.6	82.6	30.5
	8	100.5	25.3	98.4	26.0	96.3	26.8	94.2	27.5	92.1	28.3	90.1	29.2	88.0	30.0	86.0	30.9
	9	104.3	25.5	102.2	26.3	100.0	27.0	97.9	27.8	95.7	28.6	93.6	29.5	91.5	30.4	89.4	31.3
	10	108.3	25.8	106.1	26.5	103.8	27.3	101.6	28.1	99.5	29.0	97.3	29.8	95.1	30.8	93.0	31.7
EBHP-40.1	6	106.6	29.3	104.3	30.1	102.0	31.0	99.8	31.9	97.6	32.8	95.4	33.8	93.2	34.8	91.1	35.9
	7	110.8	29.6	108.4	30.5	106.1	31.4	103.8	32.3	101.5	33.3	99.3	34.3	97.0	35.3	94.8	36.4
	8	115.1	29.9	112.7	30.8	110.3	31.8	107.9	32.7	105.5	33.7	103.2	34.7	100.9	35.8	98.6	36.9
	9	119.5	30.3	117.0	31.2	114.5	32.1	112.1	33.1	109.7	34.1	107.3	35.2	104.9	36.3	102.5	37.5
	10	124.1	30.6	121.5	31.5	119.0	32.5	116.4	33.5	113.9	34.5	111.5	35.6	109.0	36.8	106.6	38.0
EBHP-50.1	6	125.8	36.4	123.2	37.4	120.6	38.3	118.0	39.3	115.5	40.3	112.9	41.4	110.4	42.5	107.9	43.6
	7	130.7	36.8	128.1	37.8	125.3	38.8	122.7	39.8	120.1	40.8	117.4	41.9	114.8	43.0	112.3	44.2
	8	135.8	37.2	133.0	38.2	130.2	39.2	127.5	40.2	124.8	41.3	122.1	42.4	119.4	43.5	116.7	44.8
	9	141.0	37.6	138.1	38.6	135.2	39.6	132.4	40.6	129.6	41.7	126.8	42.9	124.1	44.1	121.3	45.3
	10	146.3	38.0	143.4	39.0	140.4	40.0	137.5	41.1	134.6	42.2	131.7	43.3	128.9	44.6	126.0	45.9
EBHP-60.1	6	160.1	44.4	156.2	45.6	152.2	46.7	148.2	47.9	144.1	49.0	140.0	50.2	135.8	51.3	131.6	52.4
	7	165.7	44.8	161.7	46.0	157.6	47.2	153.5	48.4	149.3	49.6	145.0	50.8	140.7	52.0	136.3	53.1
	8	171.5	45.2	167.4	46.4	163.2	47.7	158.9	49.0	154.5	50.2	150.1	51.4	145.7	52.6	141.1	53.8
	9	177.5	45.5	173.3	46.9	168.9	48.2	164.4	49.5	160.0	50.7	155.4	52.0	150.8	53.3	146.1	54.5
	10	183.7	45.9	179.3	47.2	174.7	48.6	170.2	50.0	165.5	51.3	160.8	52.6	156.1	53.9	151.2	55.2
EBHP-70.1	6	179.9	55.4	175.6	56.8	171.3	58.3	167.0	59.7	162.8	61.1	158.6	62.5	154.4	63.9	150.3	65.2
	7	186.8	55.9	182.4	57.4	178.0	58.9	173.6	60.4	169.2	61.8	164.9	63.3	160.6	64.7	156.4	66.1
	8	194.0	56.3	189.4	57.9	184.8	59.5	180.3	61.0	175.8	62.5	171.4	64.0	167.0	65.5	162.6	67.0
	9	201.3	56.8	196.6	58.4	191.9	60.1	187.3	61.7	182.6	63.2	178.0	64.8	173.5	66.3	169.0	67.8
	10	208.7	57.2	204.0	58.9	199.1	60.6	194.4	62.3	189.6	63.9	184.9	65.5	180.2	67.1	175.6	68.7
EBHP-35.2	6	186.0	24,8x2	182.2	25,5x2	178.2	26,2x2	174.2	26,9x2	170.4	27,7x2	166.4	28,4x2	162.6	29,3x2	158.8	30,1x2
	7	193.4	25,0x2	189.4	25,7x2	185.2	26,5x2	181.2	27,2x2	177.2	28,0x2	173.2	28,8x2	169.2	29,6x2	165.2	30,5x2
	8	201.0	25,3x2	196.8	26,0x2	192.6	26,8x2	188.4	27,5x2	184.2	28,3x2	180.2	29,2x2	176.0	30,0x2	172.0	30,9x2
	9	208.6	25,5x2	204.4	26,3x2	200.0	27,0x2	195.8	27,8x2	191.4	28,6x2	187.2	29,5x2	183.0	30,4x2	178.8	31,3x2
	10	216.6	25,8x2	212.2	26,5x2	207.6	27,3x2	203.2	28,1x2	199.0	29,0x2	194.6	29,8x2	190.2	30,8x2	186.0	31,7x2
EBHP-40.2	6	213.2	29,3x2	208.6	30,1x2	204.0	31,0x2	199.6	31,9x2	195.2	32,8x2	190.8	33,8x2	186.4	34,8x2	182.2	35,9x2
	7	221.6	29,6x2	216.8	30,5x2	212.2	31,4x2	207.6	32,3x2	203.0	33,3x2	198.6	34,3x2	194.0	35,3x2	189.6	36,4x2
	8	230.2	29,9x2	225.4	30,8x2	220.6	31,8x2	215.8	32,7x2	211.0	33,7x2	206.4	34,7x2	201.8	35,8x2	197.2	36,9x2
	9	239.0	30,3x2	234.0	31,2x2	229.0	32,1x2	224.2	33,1x2	219.4	34,1x2	214.6	35,2x2	209.8	36,3x2	205.0	37,5x2
	10	248.2	30,6x2	243.0	31,5x2	238.0	32,5x2	232.8	33,5x2	227.8	34,5x2	223.0	35,6x2	218.0	36,8x2	213.2	38,0x2
EBHP-50.2	6	251.6	36,4x2	246.4	37,4x2	241.2	38,3x2	236.0	39,3x2	231.0	40,3x2	225.8	41,4x2	220.8	42,5x2	215.8	43,6x2
	7	261.4	36,8x2	256.2	37,8x2	250.6	38,8x2	245.4	39,8x2	240.2	40,8x2	234.8	41,9x2	229.6	43,0x2	224.6	44,2x2
	8	271.6	37,2x2	266.0	38,2x2	260.4	39,2x2	255.0	40,2x2	249.6	41,3x2	244.2	42,4x2	238.8	43,5x2	233.4	44,8x2
	9	282.0	37,6x2	276.2	38,6x2	270.4	39,6x2	264.8	40,6x2	259.2	41,7x2	253.6	42,9x2	248.2	44,1x2	242.6	45,3x2
	10	292.6	38,0x2	286.8	39,0x2	280.8	40,0x2	275.0	41,1x2	269.2	42,2x2	263.4	43,3x2	257.8	44,6x2	252.0	45,9x2
EBHP-60.2	6	320.2	44,4x2	312.4	45,6x2	304.4	46,7x2	296.4	47,9x2	288.2	49,0x2	280.0	50,2x2	271.6	51,3x2	263.2	52,4x2
	7	331.4	44,8x2	323.4	46,0x2	315.2	47,2x2	307.0	48,4x2	298.6	49,6x2	290.0	50,8x2	281.4	52,0x2	272.6	53,1x2
	8	343.0	45,2x2	334.8	46,4x2	326.4	47,7x2	317.8	49,0x2	309.0	50,2x2	300.2	51,4x2	291.4	52,6x2	282.2	53,8x2
	9	355.0	45,5x2	346.6	46,9x2	337.8	48,2x2	328.8	49,5x2	320.0	50,7x2	310.8	52,0x2	301.6	53,3x2	292.2	54,5x2
	10	367.4	45,9x2	358.6	47,2x2	349.4	48,6x2	340.4	50,0x2	331.0	51,3x2	321.6	52,6x2	312.2	53,9x2	302.4	55,2x2
EBHP-70.2	6	359.8	55,4x2	351.2	56,8x2	342.6	58,3x2	334.0	59,7x2	325.6	61,1x2	317.2	62,5x2	308.8	63,9x2	300.6	65,2x2
	7	373.6	55,9x2	364.8	57,4x2	356.0	58,9x2	347.2	60,4x2	338.4	61,8x2	329.8	63,3x2	321.2	64,7x2	312.8	66,1x2
	8	388.0	56,3x2	378.8	57,9x2	369.6	59,5x2	360.6	61,0x2	351.6	62,5x2	342.8	64,0x2	334.0	65,5x2	325.2	67,0x2
	9	402.6	56,8x2	393.2	58,4x2	383.8	60,1x2	374.6	61,7x2	365.2	63,2x2	356.0	64,8x2	347.0	66,3x2	338.0	67,8x2
	10	417.4	57,2x2	408.0	58,9x2	398.2	60,6x2	388.8	62,3x2	379.2	63,9x2	369.8	65,5x2	360.4	67,1x2	351.2	68,7x2

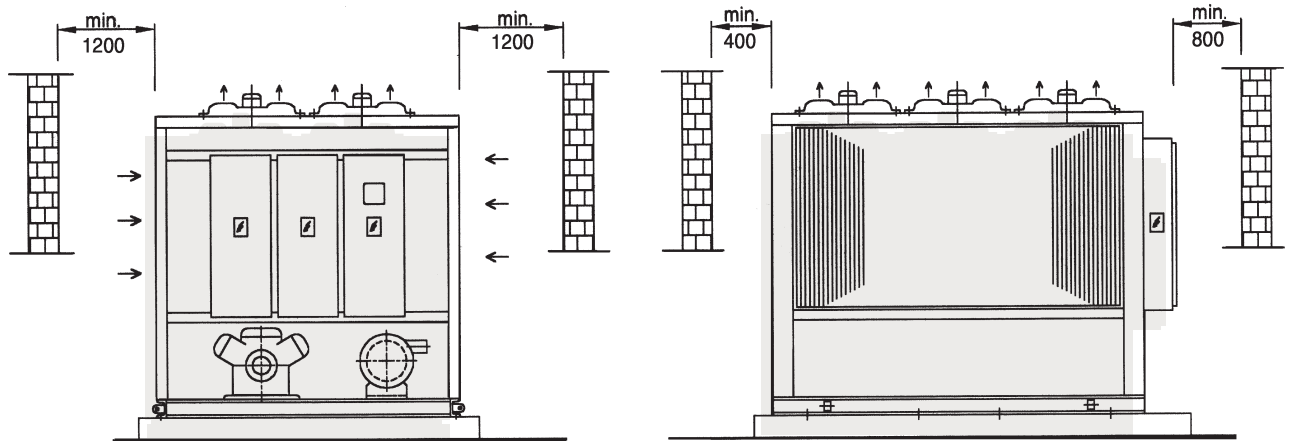
Q = Soğutma kapasitesi (kW) / Cooling Capacity, N₀ = Kompresör mil gücü (kW) / Power Input

Boyutlar Dimensions



TİP TYPE	EBHP- 30.1	EBHP- 33.1	EBHP- 35.1	EBHP- 40.1	EBHP- 50.1	EBHP- 60.1	EBHP- 70.1	EBHP- 35.2	EBHP- 40.2	EBHP- 50.2	EBHP- 60.2	EBHP- 70.2
A	2350	2350	2350	2350	2950	2950	3350	3350	2350	3350	3350	3350
B	1300	1300	1300	1300	1300	1300	1300	1300	2300	2300	2300	2300
C	2000	2000	2000	2100	2100	2300	2300	2250	2050	2050	2150	2250
D	250	250	250	300	300	300	300	350	350	350	350	350
d	2"	2 1/2"	3"	3"	3"	DN100	DN100	DN125	DN125	DN125	DN150	DN150

Cihaz Yerleşimi Clearances



Not: Ölçü ve dizayn deęiřtirme hakkımız mahfuzdur.

Note: We reserve the right to make changes in dimensions and design at any time, without notice