

Su soğutmalı kondensерli **Soğuk su üretici gruplar**

E10-104/1.B

Water cooled **Water chillers**

Pistonlu kompresörlü • Mikroişlemci kontrollü
Reciprocating compressors • Microprocessor controlled

Klima sistemleri,
Proses soğutmaları,
Sanayi tesisleri ve
Muhtelif maksatlar için

For air-conditioning systems,
Process cooling,
Industrial plants and
Various purpose



Kapasite aralığı
Capacity range
65.4 kW - 458.4 kW

Cihaz Tanımı Unit Description

Fabrikamızda veya montaj mahalinde çalışır vaziyette teslim edilen soğuk su üretici gruplar kapasite tablosundaki soğuk su çıkış sıcaklıklarını verecek şekilde dizayn edilmiştir. Kompakt ünite şeklindeki grupların kapasitesi 65,4 kW ile 458,4 kW arasında değişmekte olup, aşağıdaki kısımlardan müteşekkildir.

Soğutma kompresörü: Kapasiteye göre 1veya 2 adet yarı kapalı (yarı hermetik) pistonlu kompresör kullanılmaktadır. Kompresörün tüm parçalarına müdahale etme ve bakım yapma kolaylığı sağlanmıştır. Gerekli şebeke gerilimi; 3 faz - 400 Volt - 50 Hz'dir.

Kondenser (Yoğuşturucu): Shell & tube tipinde, özel yüksek verimli bakır boruların çelik ayna deliklerine makinetto ile tesbit edilerek üretilmiştir.

Evaporatör (Chiller): Shell & tube tipinde, özel yüksek verimli bakır boruların çelik ayna deliklerine makinetto ile tesbit edilerek üretilmiştir. Boru demetinin sökülebilir olması bakım ve temizlik imkanı sağlar.

Elektrik kumanda panosu: Cihazın tam otomatik çalışmasını sağlamak üzere yeterli miktarda kontaktör, termik, sigorta ve şalter ile teçhiz edilmiştir. Gerekli şebeke gerilimi; 3 faz, 400 Volt, 50 Hz'dir.

Mikroişlemci kontrol sistemi: Cihazda mikroişlemci kontrol sistemi kullanılmaktadır. Bu sayede su giriş ve çıkış sıcaklıkları, kompresörlerin çalışma zamanları ve sistemde oluşacak tüm arızalar ekranda digital olarak görülebilmekte ve kolaylıkla kapasite kontrol yapılabilmektedir. Ayrıca her kompresörün çalışma süreleri otomatik olarak dengede tutulmakta ve cihazın optimum verimde çalışması sağlanmaktadır.

Soğutma devresi elemanları: Cihazın otomatik ve güvenli şekilde çalışması için; drayer-filtre, gözetleme camı, termostatik genleşme valfi, solenoid valf, alçak-yüksek basınç presostatı, su akış kontrol otomatiği, soğutma valfleri, su ve hava tahliye vanaları konmuştur.

Water Chillers that are delivered in our factory or at the montage location in operatable conditions are designed to provide chilled water leaving temperatures which are given in capacity table. The capacity of the compact type water chillers composed of the following parts, varying between 65,4 kW and 458,4 kW.

Cooling compressor: 1 or 2 pieces semi-hermetic reciprocating compressors are used according to capacity. Ability to reach and apply maintenance to each part of compressor is provided. Required power supply is 3 ph - 400 Volt - 50 Hz.

Condenser: Manufactured in Shell&Tube form and special high efficient copper pipes by the way of fixing to grooved steel tubesheet holes with tube expander method.

Chiller: Manufactured in Shell&Tube form and special high efficient copper pipes by the way of fixing to grooved steel tubesheet holes with tube expander method. It's allowed to maintenance and clean up because of the removable tube bundle.

Electrical control panel: Equipped with enough number of contactors, thermics, fuses and on-off switches so as to operate the machine full automatically. Required power supply is 3 ph - 400 Volt - 50 Hz.

Microprocessor control system: Microprocessor control system is used on the device. By means of this entering and leaving water temperatures, operating times of compressors and all faults occurred on the system can be seen on the digital screen and also capacity control can be made easily. The operating times of each compressor is balanced automatically and optimum efficient operation of the device is provided.

Components of the cooling circuit: For the machine to operate automatically and securely; drier filter, sight glass, thermostatic expansion valve, solenoid valve, low-high pressure switch, water flow-switch, liquid shut-off valves, discharging valves for water and air are included.

Teknik Özellikler Technical Specifications

CİHAZ TİPİ TYPE		EBSP- 30.1	EBSP- 33.1	EBSP- 35.1	EBSP- 40.1	EBSP- 50.1	EBSP- 60.1	EBSP- 70.1	EBSP- 35.2	EBSP- 40.2	EBSP- 50.2	EBSP- 60.2	EBSP- 70.2
Nominal Kapasite (kW)(1) <i>Nominal Capacity</i>	R407C(2)	73,3	82,9	96,4	110,0	131,4	165,8	196,2	192,8	220,0	262,8	331,6	392,4
	R22	77,8	88,7	101,9	116,7	137,6	175,4	197,9	203,8	233,4	275,2	350,8	395,8
Kompresör Adedi <i>Number of Compressors</i>		1	1	1	1	1	1	1	2	2	2	2	2
Komp. Motor Gücü (kW) (1) <i>Compressor Motor Power</i>		18,3	20,1	23,3	27,5	34,5	41,6	51,9	46,6	55,0	69,0	83,2	103,8
Kapasite Kontrol Adımı <i>Capacity Control Steps</i>		2	2	2	2	2	2	2	4	4	4	4	4
İşletme Ağırlığı ~(kg) <i>Operating Weight</i>		730	780	810	870	940	1200	1350	1880	1960	2040	2560	2660

1) Evaporatöre su giriş / çıkış 12°C / 7°C ve 28°C kondensere su giriş sıcaklığına göre verilmiştir.

Values are based on evaporator entering/leaving water temp. 12°C/7°C and condenser entering temp. 28°C

2) Evaporasyon ve kondenzasyon sıcaklıklarının çığ noktasındaki değerlerine göre verilmiştir.

Values are based on the Dew Point of evaporating and condensing temperatures.

Kapasite Tablosu Capacity Table (kW)
R407C

CİHAZ TİPİ TYPE	SU ÇIKIŞI °C CHILLED WATER LEAVING	KONDENSERE SU GİRİŞ SICAKLIĞI / CONDENSER ENTERING WATER TEMP.																	
		25°C		26°C		27°C		28°C		29°C		30°C		31°C		32°C		33°C	
		Q	N ₀	Q	N ₀	Q	N ₀	Q	N ₀	Q	N ₀	Q	N ₀	Q	N ₀	Q	N ₀	Q	N ₀
EBSP-30Y.1	6	73.2	17.4	72.2	17.6	71.3	17.9	70.3	18.2	69.3	18.5	68.3	18.7	67.4	19.0	66.4	19.3	65.4	19.5
	7	76.3	17.5	75.3	17.8	74.3	18.1	73.3	18.4	72.3	18.7	71.3	18.9	70.2	19.2	69.2	19.5	68.2	19.8
	8	79.5	17.6	78.4	17.9	77.4	18.2	76.4	18.5	75.3	18.8	74.3	19.1	73.2	19.4	72.2	19.7	71.1	20.0
	9	82.7	17.8	81.7	18.1	80.6	18.4	79.6	18.7	78.5	19.0	77.4	19.3	76.3	19.6	75.2	19.9	74.1	20.2
	10	86.1	17.9	85.0	18.2	83.9	18.6	82.8	18.9	81.7	19.2	80.6	19.5	79.5	19.8	78.4	20.1	77.2	20.4
EBSP-33Y.1	6	82.7	18.4	81.6	18.7	80.5	19.0	79.4	19.3	78.4	19.6	77.3	19.9	76.2	20.2	75.1	20.4	74.0	20.7
	7	86.2	18.6	85.1	18.9	84.0	19.2	82.9	19.5	81.7	19.8	80.6	20.1	79.5	20.4	78.4	20.6	77.2	20.9
	8	89.9	18.7	88.7	19.0	87.5	19.3	86.4	19.6	85.2	19.9	84.0	20.2	82.9	20.5	81.7	20.8	80.6	21.1
	9	93.6	18.8	92.4	19.1	91.2	19.5	90.0	19.8	88.8	20.1	87.6	20.4	86.4	20.7	85.2	21.0	84.0	21.4
	10	97.4	18.9	96.2	19.3	94.9	19.6	93.7	19.9	92.5	20.3	91.2	20.6	90.0	20.9	88.8	21.2	87.5	21.6
EBSP-35Y.1	6	96.3	22.0	95.0	22.3	93.8	22.7	92.5	23.1	91.3	23.5	90.1	23.8	88.8	24.2	87.6	24.6	86.3	25.0
	7	100.3	22.1	99.0	22.5	97.7	22.9	96.4	23.3	95.1	23.7	93.8	24.1	92.6	24.4	91.3	24.8	90.0	25.2
	8	104.4	22.2	103.1	22.7	101.7	23.1	100.4	23.5	99.1	23.9	97.8	24.3	96.4	24.7	95.1	25.1	93.8	25.5
	9	108.6	22.4	107.3	22.8	105.9	23.2	104.5	23.6	103.2	24.1	101.8	24.5	100.4	24.9	99.1	25.3	97.7	25.7
	10	113.0	22.5	111.6	22.9	110.2	23.4	108.8	23.8	107.4	24.2	106.0	24.7	104.5	25.1	103.1	25.5	101.7	25.9
EBSP-40Y.1	6	109.9	25.9	108.4	26.2	107.0	26.7	105.5	27.2	104.0	27.6	102.5	28.0	101.1	28.4	99.6	28.8	98.1	29.2
	7	114.5	26.1	113.0	26.5	111.5	27.0	110.0	27.4	108.5	27.9	106.9	28.3	105.4	28.7	103.9	29.1	102.3	29.5
	8	119.2	26.3	117.7	26.8	116.2	27.2	114.6	27.7	113.0	28.1	111.5	28.6	109.9	29.0	108.3	29.4	106.7	29.8
	9	124.2	26.5	122.6	27.0	121.0	27.4	119.4	27.9	117.8	28.4	116.1	28.8	114.5	29.3	112.9	29.7	111.2	30.1
	10	129.2	26.7	127.6	27.2	125.9	27.7	124.3	28.1	122.6	28.6	121.0	29.1	119.3	29.5	117.6	30.0	115.9	30.4
EBSP-50Y.1	6	131.0	31.4	129.4	31.9	127.8	32.4	126.2	32.9	124.6	33.4	123.0	33.8	121.4	34.3	119.8	34.8	118.2	35.3
	7	136.4	31.7	134.7	32.2	133.1	32.7	131.4	33.2	129.8	33.7	128.1	34.2	126.5	34.7	124.9	35.2	123.2	35.7
	8	141.9	32.0	140.2	32.5	138.5	33.0	136.8	33.6	135.1	34.0	133.4	34.5	131.7	35.1	130.0	35.6	128.3	36.1
	9	147.7	32.2	145.9	32.8	144.1	33.3	142.4	33.8	140.6	34.3	138.9	34.9	137.1	35.4	135.4	35.9	133.6	36.5
	10	153.6	32.5	151.7	33.0	149.9	33.6	148.1	34.1	146.3	34.7	144.5	35.2	142.7	35.8	140.9	36.3	139.1	36.9
EBSP-60Y.1	6	165.5	38.7	163.4	39.3	161.3	40.0	159.2	40.6	157.1	41.2	155.0	41.8	152.9	42.4	150.8	42.9	148.7	43.5
	7	172.2	39.0	170.1	39.7	167.9	40.3	165.8	40.9	163.6	41.6	161.5	42.2	159.3	42.8	157.1	43.4	154.9	44.0
	8	179.2	39.3	177.0	39.9	174.7	40.6	172.5	41.3	170.3	41.9	168.1	42.6	165.8	43.2	163.6	43.9	161.3	44.5
	9	186.3	39.5	184.0	40.2	181.8	40.9	179.5	41.6	177.2	42.3	174.9	43.0	172.6	43.6	170.3	44.3	167.9	44.9
	10	193.7	39.7	191.3	40.4	189.0	41.2	186.6	41.9	184.3	42.6	181.9	43.3	179.5	44.0	177.1	44.7	174.7	45.4
EBSP-70Y.1	6	195.9	47.2	193.4	48.0	191.0	48.7	188.5	49.5	186.0	50.2	183.5	51.0	181.0	51.7	178.5	52.4	176.0	53.1
	7	203.8	47.6	201.3	48.4	198.8	49.2	196.2	49.9	193.7	50.7	191.1	51.5	188.6	52.2	186.0	53.0	183.4	53.7
	8	212.0	47.9	209.4	48.7	206.8	49.5	204.2	50.4	201.6	51.2	199.0	52.0	196.3	52.7	193.7	53.5	191.0	54.3
	9	220.5	48.2	217.8	49.0	215.1	49.9	212.4	50.7	209.7	51.6	207.0	52.4	204.3	53.2	201.6	54.0	198.8	54.8
	10	229.2	48.4	226.4	49.3	223.7	50.2	220.9	51.1	218.1	52.0	215.3	52.8	212.5	53.7	209.7	54.5	206.9	55.3
EBSP-35Y.2	6	192.6	22.0x2	190.0	22.3x2	187.6	22.7x2	185.0	23.1x2	182.6	23.5x2	180.2	23.8x2	177.6	24.2x2	175.2	24.6x2	172.6	25.0x2
	7	200.6	22.1x2	198.0	22.5x2	195.4	22.9x2	192.8	23.3x2	190.2	23.7x2	187.6	24.1x2	185.2	24.4x2	182.6	24.8x2	180.0	25.2x2
	8	208.8	22.2x2	206.2	22.7x2	203.4	23.1x2	200.8	23.5x2	198.2	23.9x2	195.6	24.3x2	192.8	24.7x2	190.2	25.1x2	187.6	25.5x2
	9	217.2	22.4x2	214.6	22.8x2	211.8	23.2x2	209.0	23.6x2	206.4	24.1x2	203.6	24.5x2	200.8	24.9x2	198.2	25.3x2	195.4	25.7x2
	10	226.0	22.5x2	223.2	22.9x2	220.4	23.4x2	217.6	23.8x2	214.8	24.2x2	212.0	24.7x2	209.0	25.1x2	206.2	25.5x2	203.4	25.9x2
EBSP-40Y.2	6	219.8	25.9x2	216.8	26.2x2	214.0	26.7x2	211.0	27.2x2	208.0	27.6x2	205.0	28.0x2	202.2	28.4x2	199.2	28.8x2	196.2	29.2x2
	7	229.0	26.1x2	226.0	26.5x2	223.0	27.0x2	220.0	27.4x2	217.0	27.9x2	213.8	28.3x2	210.8	28.7x2	207.8	29.1x2	204.6	29.5x2
	8	238.4	26.3x2	235.4	26.8x2	232.4	27.2x2	229.2	27.7x2	226.0	28.1x2	223.0	28.6x2	219.8	29.0x2	216.6	29.4x2	213.4	29.8x2
	9	248.4	26.5x2	245.2	27.0x2	242.0	27.4x2	238.8	27.9x2	235.6	28.4x2	232.2	28.8x2	229.0	29.3x2	225.8	29.7x2	222.4	30.1x2
	10	258.4	26.7x2	255.2	27.2x2	251.8	27.7x2	248.6	28.1x2	245.2	28.6x2	242.0	29.1x2	238.6	29.5x2	235.2	30.0x2	231.8	30.4x2
EBSP-50Y.2	6	262.0	31.4x2	258.8	31.9x2	255.6	32.4x2	252.4	32.9x2	249.2	33.4x2	246.0	33.8x2	242.8	34.3x2	239.6	34.8x2	236.4	35.3x2
	7	272.8	31.7x2	269.4	32.2x2	266.2	32.7x2	262.8	33.2x2	259.6	33.7x2	256.2	34.2x2	253.0	34.7x2	249.8	35.2x2	246.4	35.7x2
	8	283.8	32.0x2	280.4	32.5x2	277.0	33.0x2	273.6	33.6x2	270.2	34.0x2	266.8	34.5x2	263.4	35.1x2	260.0	35.6x2	256.6	36.1x2
	9	295.4	32.2x2	291.8	32.8x2	288.2	33.3x2	284.8	33.8x2	281.2	34.3x2	277.8	34.9x2	274.2	35.4x2	270.8	35.9x2	267.2	36.5x2
	10	307.2	32.5x2	303.4	33.0x2	299.8	33.6x2	296.2	34.1x2	292.6	34.7x2	289.0	35.2x2	285.4	35.8x2	281.8	36.3x2	278.2	36.9x2
EBSP-60Y.2	6	331.0	38.7x2	326.8	39.3x2	322.6	40.0x2	318.4	40.6x2	314.2	41.2x2	310.0	41.8x2	305.8	42.4x2	301.6	42.9x2	297.4	43.5x2
	7	344.4	39.0x2	340.2	39.7x2	335.8	40.3x2	331.6	40.9x2	327.2	41.6x2	323.0	42.2x2	318.6	42.8x2	314.2	43.4x2	309.8	44.0x2
	8	358.4	39.3x2	354.0	39.9x2	349.4	40.6x2	345.0	41.3x2	340.6	41.9x2	336.2	42.6x2	331.6	43.2x2	327.2	43.9x2	322.6	44.5x2
	9	372.6	39.5x2	368.0	40.2x2	363.6	40.9x2	359.0	41.6x2	354.4	42.3x2	349.8	43.0x2	345.2	43.6x2	340.6	44.3x2	335.8	44.9x2
	10	387.4	39.7x2	382.6	40.4x2	378.0	41.2x2	373.2	41.9x2	368.6	42.6x2	363.8	43.3x2	359.0	44.0x2	354.2	44.7x2	349.4	45.4x2
EBSP-70Y.2	6	391.8	47.2x2	386.8	48.0x2	382.0	48.7x2	377.0	49.5x2	372.0	50.2x2	367.0	51.0x2						

Kapasite Tablosu Capacity Table (kW)

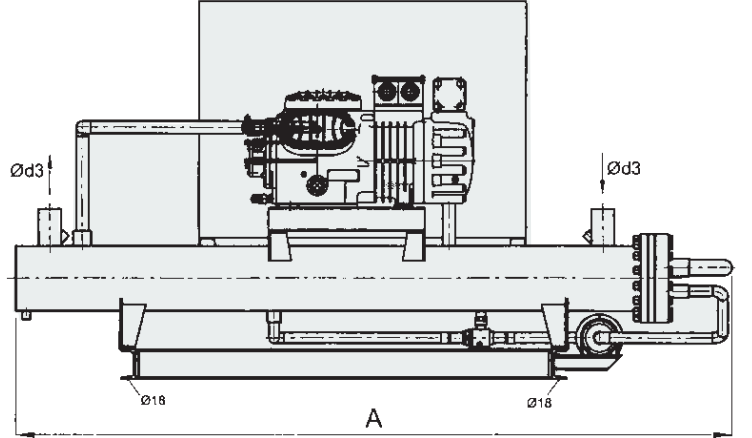
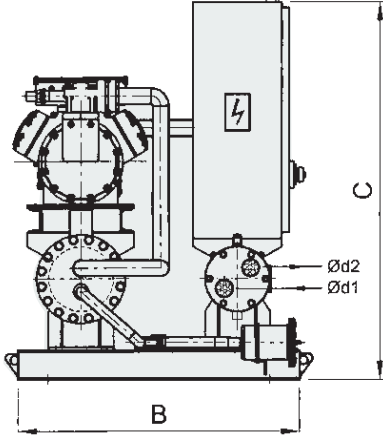
R22

CİHAZ TİPİ TYPE	SU ÇIKIŞI °C CHILLED WATER LEAVING	KONDENSERE SU GİRİŞ SICAKLIĞI / CONDENSER ENTERING WATER TEMP.																	
		25°C		26°C		27°C		28°C		29°C		30°C		31°C		32°C		33°C	
		Q	N ₀	Q	N ₀	Q	N ₀	Q	N ₀	Q	N ₀	Q	N ₀	Q	N ₀	Q	N ₀	Q	N ₀
EBSP - 30.1	6	77.3	17.3	76.5	17.6	75.7	17.9	74.9	18.1	74.1	18.4	73.3	18.7	72.5	19.0	71.8	19.2	71.0	19.5
	7	80.3	17.5	79.4	17.8	78.6	18.0	77.8	18.3	77.0	18.6	76.2	18.9	75.4	19.2	74.6	19.5	73.8	19.7
	8	83.3	17.7	82.5	17.9	81.6	18.2	80.8	18.5	80.0	18.8	79.1	19.1	78.3	19.4	77.5	19.7	76.7	20.0
	9	86.5	17.8	85.6	18.1	84.7	18.4	83.9	18.7	83.0	19.0	82.2	19.3	81.3	19.6	80.5	19.9	79.7	20.2
	10	89.7	18.0	88.8	18.3	87.9	18.6	87.1	18.9	86.2	19.2	85.3	19.5	84.4	19.8	83.6	20.1	82.7	20.4
EBSP - 33.1	6	88.1	19.1	87.2	19.4	86.3	19.7	85.4	20.0	84.4	20.2	83.5	20.5	82.6	20.8	81.6	21.1	80.7	21.4
	7	91.6	19.2	90.6	19.5	89.6	19.9	88.7	20.1	87.7	20.4	86.8	20.7	85.8	21.0	84.8	21.3	83.9	21.6
	8	95.1	19.4	94.1	19.7	93.1	20.0	92.1	20.3	91.1	20.6	90.1	21.0	89.1	21.3	88.1	21.6	87.1	21.9
	9	98.7	19.6	97.6	19.9	96.6	20.2	95.6	20.5	94.6	20.8	93.6	21.2	92.6	21.5	91.5	21.8	90.5	22.1
	10	102.4	19.8	101.3	20.1	100.3	20.4	99.2	20.7	98.2	21.0	97.1	21.3	96.1	21.7	95.0	22.0	94.0	22.3
EBSP - 35.1	6	101.1	22.1	100.1	22.4	99.1	22.7	98.0	23.1	97.0	23.4	96.0	23.8	95.0	24.1	94.0	24.4	93.0	24.8
	7	105.0	22.3	104.0	22.6	102.9	23.0	101.9	23.3	100.8	23.7	99.8	24.0	98.7	24.3	97.7	24.7	96.7	25.0
	8	109.0	22.5	107.9	22.8	106.8	23.2	105.8	23.5	104.7	23.9	103.6	24.2	102.6	24.6	101.5	24.9	100.5	25.3
	9	113.1	22.7	112.0	23.0	110.9	23.4	109.8	23.7	108.7	24.1	107.6	24.5	106.5	24.8	105.4	25.2	104.3	25.5
	10	117.4	22.9	116.2	23.2	115.1	23.6	113.9	24.0	112.8	24.3	111.7	24.7	110.5	25.1	109.4	25.4	108.3	25.8
EBSP - 40.1	6	115.9	26.0	114.7	26.4	113.6	26.8	112.4	27.2	111.2	27.6	110.0	28.0	108.9	28.4	107.7	28.9	106.6	29.3
	7	120.4	26.2	119.2	26.7	118.0	27.1	116.7	27.5	115.5	27.9	114.3	28.3	113.1	28.8	111.9	29.2	110.8	29.6
	8	125.0	26.5	123.8	26.9	122.5	27.3	121.3	27.8	120.0	28.2	118.8	28.6	117.5	29.1	116.3	29.5	115.1	29.9
	9	129.8	26.7	128.5	27.2	127.2	27.6	125.9	28.0	124.6	28.5	123.3	28.9	122.0	29.4	120.8	29.8	119.5	30.3
	10	134.7	26.9	133.3	27.4	132.0	27.8	130.6	28.3	129.3	28.7	128.0	29.2	126.7	29.6	125.4	30.1	124.1	30.6
EBSP - 50.1	6	136.6	32.7	135.2	33.2	133.8	33.7	132.5	34.1	131.1	34.6	129.8	35.0	128.5	35.5	127.2	36.0	125.8	36.4
	7	141.8	33.1	140.4	33.6	139.0	34.0	137.6	34.5	136.2	35.0	134.8	35.4	133.5	35.9	132.1	36.4	130.7	36.8
	8	147.2	33.4	145.8	33.9	144.3	34.4	142.9	34.9	141.4	35.3	140.0	35.8	138.6	36.3	137.2	36.8	135.8	37.2
	9	152.8	33.8	151.3	34.3	149.8	34.7	148.3	35.2	146.8	35.7	145.3	36.2	143.9	36.7	142.4	37.1	141.0	37.6
	10	158.5	34.1	156.9	34.6	155.4	35.1	153.8	35.6	152.3	36.0	150.8	36.5	149.3	37.0	147.8	37.5	146.3	38.0
EBSP - 60.1	6	174.8	39.3	173.0	40.0	171.2	40.6	169.4	41.3	167.6	41.9	165.7	42.5	163.8	43.2	162.0	43.8	160.1	44.4
	7	180.9	39.5	179.1	40.2	177.2	40.9	175.4	41.6	173.5	42.2	171.6	42.9	169.6	43.6	167.7	44.1	165.7	44.8
	8	187.2	39.7	185.3	40.4	183.4	41.1	181.5	41.8	179.5	42.5	177.6	43.2	175.6	43.8	173.6	44.5	171.5	45.2
	9	193.7	39.9	191.8	40.6	189.8	41.3	187.8	42.0	185.8	42.7	183.8	43.5	181.7	44.1	179.6	44.8	177.5	45.5
	10	200.4	40.0	198.4	40.7	196.3	41.5	194.3	42.2	192.2	43.0	190.1	43.7	188.0	44.4	185.8	45.1	183.7	45.9
EBSP - 70.1	6	197.1	49.1	194.9	49.9	192.8	50.7	190.6	51.5	188.5	52.3	186.4	53.1	184.2	53.9	182.1	54.6	179.9	55.4
	7	204.5	49.3	202.3	50.2	200.1	51.0	197.9	51.9	195.7	52.7	193.4	53.5	191.3	54.3	189.1	55.1	186.8	55.9
	8	212.1	49.6	209.8	50.5	207.5	51.3	205.3	52.2	203.0	53.1	200.8	53.9	198.5	54.7	196.2	55.5	194.0	56.3
	9	219.9	49.8	217.5	50.7	215.2	51.6	212.9	52.5	210.6	53.4	208.2	54.3	205.9	55.1	203.6	55.0	201.3	56.8
	10	227.9	50.0	225.5	50.9	223.1	51.9	220.7	52.8	218.3	53.7	215.9	54.6	213.5	55.5	211.1	56.4	208.7	57.2
EBSP - 35.2	6	202.2	22.1x2	200.2	22.4x2	198.2	22.7x2	196.0	23.1x2	194.0	23.4x2	192.0	23.8x2	190.0	24.1x2	188.0	24.4x2	186.0	24.8x2
	7	210.0	22.3x2	208.0	22.6x2	205.8	23.0x2	203.8	23.3x2	201.6	23.7x2	199.6	24.0x2	197.4	24.3x2	195.4	24.7x2	193.4	25.0x2
	8	218.0	22.5x2	215.8	22.8x2	213.6	23.2x2	211.6	23.5x2	209.4	23.9x2	207.2	24.2x2	205.2	24.6x2	203.0	24.9x2	201.0	25.3x2
	9	226.2	22.7x2	224.0	23.0x2	221.8	23.4x2	219.6	23.7x2	217.4	24.1x2	215.2	24.5x2	213.0	24.8x2	210.8	25.2x2	208.6	25.5x2
	10	234.8	22.9x2	232.4	23.2x2	230.2	23.6x2	227.8	24.0x2	225.6	24.3x2	223.4	24.7x2	221.0	25.1x2	218.8	25.4x2	216.6	25.8x2
EBSP - 40.2	6	231.8	26.0x2	229.4	26.4x2	227.2	26.8x2	224.8	27.2x2	222.4	27.6x2	220.0	28.0x2	217.8	28.4x2	215.4	28.9x2	213.2	29.3x2
	7	240.8	26.2x2	238.4	26.7x2	236.0	27.1x2	233.4	27.5x2	231.0	27.9x2	228.6	28.3x2	226.2	28.8x2	223.8	29.2x2	221.6	29.6x2
	8	250.0	26.5x2	247.6	26.9x2	245.0	27.3x2	242.6	27.8x2	240.0	28.2x2	237.6	28.6x2	235.0	29.1x2	232.6	29.5x2	230.2	29.9x2
	9	259.6	26.7x2	257.0	27.2x2	254.4	27.6x2	251.8	28.0x2	249.2	28.5x2	246.6	28.9x2	244.0	29.4x2	241.6	29.8x2	239.0	30.3x2
	10	269.4	26.9x2	266.6	27.4x2	264.0	27.8x2	261.2	28.3x2	258.6	28.7x2	256.0	29.2x2	253.4	29.6x2	250.8	30.1x2	248.2	30.6x2
EBSP - 50.2	6	273.2	32.7x2	270.4	33.2x2	267.6	33.7x2	265.0	34.1x2	262.2	34.6x2	259.6	35.0x2	257.0	35.5x2	254.4	36.0x2	251.6	36.4x2
	7	283.6	33.1x2	280.8	33.6x2	278.0	34.0x2	275.2	34.5x2	272.4	35.0x2	269.6	35.4x2	267.0	35.9x2	264.2	36.4x2	261.4	36.8x2
	8	294.4	33.4x2	291.6	33.9x2	288.6	34.4x2	285.8	34.9x2	282.8	35.3x2	280.0	35.8x2	277.2	36.3x2	274.4	36.8x2	271.6	37.2x2
	9	305.6	33.8x2	302.6	34.3x2	299.6	34.7x2	296.6	35.2x2	293.6	35.7x2	290.6	36.2x2	287.8	36.7x2	284.8	37.1x2	282.0	37.6x2
	10	317.0	34.1x2	313.8	34.6x2	310.8	35.1x2	307.6	35.6x2	304.6	36.0x2	301.6	36.5x2	298.6	37.0x2	295.6	37.5x2	292.6	38.0x2
EBSP - 60.2	6	349.6	39.3x2	346.0	40.0x2	342.4	40.6x2	338.8	41.3x2	335.2	41.9x2	331.4	42.5x2	327.6	43.2x2	324.0	43.8x2	320.2	44.4x2
	7	361.8	39.5x2	358.2	40.2x2	354.4	40.9x2	350.8	41.6x2	347.0	42.2x2	343.2	42.9x2	339.2	43.6x2	335.4	44.1x2	331.4	44.8x2
	8	374.4	39.7x2	370.6	40.4x2	366.8	41.1x2	363.0	41.8x2	359.0	42.5x2	355.2	43.2x2	351.2	43.8x2	347.2	44.5x2	343.0	45.2x2
	9	387.4	39.9x2	383.6	40.6x2	379.6	41.3x2	375.6	42.0x2	371.6	42.7x2	367.6	43.5x2	363.4	44.1x2	359.2	44.8x2	355.0	45.5x2
	10	400.8	40.0x2	396.8	40.7x2	392.6	41.5x2	388.6	42.2x2	384.4	43.0x2	380.2	43.7x2	376.0	44.4x2	371.6	45.1x2	367.4	45.9x2
EBSP - 70.2	6	394.2	49.1x2	389.8	49.9x2	385.6	50.7x2	381.2	51.5x2	377.0	52.3x2	372.8	53.1x2	368.4	53.9x2	364.2	54.6x2	359.8	55.4x2
	7	409.0	49.3x2	404.6	50.2x2	400.2	51.0x2	395.8	51.9x2	391.4	52.7x2	386.8	53.5x2	382.6	54.3x2	378.2	55.1x2	373.6	55.9x2
	8	424.2	49.6x2	419.6	50.5x2	415.0	51.3x2	410.6	52.2x2	406.0	53.1x2	401.6	53.9x2	397.0	54.7x2	392.4	55.5x2	388.0	56.3x2
	9	439.8	49.8x2	435.0	50.7x2	430.4	51.6x2	425.8	52.5x2	421.2	53.4x2	416.4	54.3x2	411.8	55.1x2	407.2	56.0x2	402.6	56.8x2
	10	455.8	50.0x2	451.0	50.9x2	446.2	51.9x2	441.4	52.8x2	436.6	53.7x2	431.8	54.6x2	427.0	55.5x2	422.2	56.4x2	417.4	57.2x2

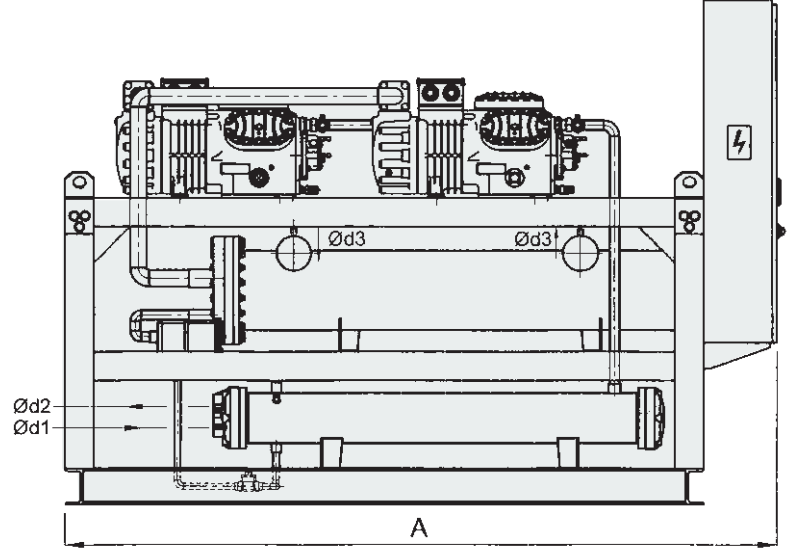
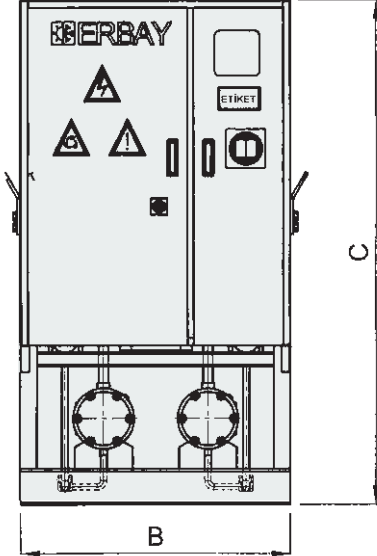
Q = Soğutma kapasitesi (kW) / Cooling Capacity, N₀ = Kompresör mil gücü (kW) / Power Input

Boyutlar Dimensions

EBSP - 30.1 - EBSP - 70.1



EBSP - 35.2 - EBSP - 70.2



TİP TYPE	EBSP- 30.1	EBSP- 33.1	EBSP- 35.1	EBSP- 40.1	EBSP- 50.1	EBSP- 60.1	EBSP- 70.1	EBSP- 35.2	EBSP- 40.2	EBSP- 50.2	EBSP- 60.2	EBSP- 70.2
A	2160	2350	2450	2560	2200	2200	2200	2650	2800	3000	3300	3500
B	800	800	800	850	850	900	900	900	900	900	1000	1000
C	1225	1225	1250	1350	1350	1425	1425	1800	1800	1800	1850	1850
d1	2 1/2"	2 1/2"	2 1/2"	2 1/2"	2 1/2"	3"	3"	2x2 1/2"	2x2 1/2"	2x2 1/2"	2x3"	2x3"
d2	2 1/2"	2 1/2"	2 1/2"	2 1/2"	2 1/2"	3"	3"	2x2 1/2"	2x2 1/2"	2x2 1/2"	2x3"	2x3"
d3	2 1/2"	3"	3"	3"	DN100	DN100	DN125	DN125	DN125	DN125	DN150	DN150

Not: Ölçü ve dizayn deęiřtirme hakkımız mahfuzdur.

Note: We reserve the right to make changes in dimensions and design at any time, without notice