

Water cooled **Water chillers**

Su soğutmalı kondensерli
Soğuk su üretici gruplar

Screw compressors • Microprocessor controlled
Vidalı kompresörlü • Mikroişlemci kontrollü

R134A

For air-conditioning systems, *Klima sistemleri,*
Process cooling, *Proses soğutmaları,*
Industrial plants and *Sanayi tesisleri ve*
Various purpose *Muhtelif maksatlar için*



Capacity range
Kapasite aralığı
112,9 kW - 2.120 kW

Unit Description *Cihaz Tanımı*

ERBAY Water Chillers are designed to provide chilled water leaving temperatures which are given on capacity tables in our factory carrying out EN ISO 9001 : 2015 Quality Management System. The Units are supplied to ready for installation. All connections, oil and refrigerant charge and required tests are made in our factory. Our units are in conformity with health and safety requirements of European Union directives and relevant harmonized standards.

The capacity of the Units are varying between 112,9 kW and 2.120 kW and it's composed of the following parts;

Cooling Compressor : 1 or 2 pieces semi-hermetic compact screw compressors are used according to capacity. Screw compressors as it's characteristics can operate without maintenance need for a long time. Maintenance of the screw compressors are quite simple because of the less amount of the moving parts in it. Screw compressors are equipped with discharge shut-off valve, check-valve that prevents to return back of the refrigerant from the discharge line, oil level switch, oil sight glass, oil separator, oil filter, crankcase heater, capacity control solenoids, vibration dampers, motor protection device and temperature sensors (PTC). Required power supply is 3 ph, 400 Volt, 50Hz.

Condenser : Manufactured Shell & Tube form and special high efficient copper tubes are fixed to grooved steel tubesheet holes with tube expander method. Condensers are in conformity with EN 14276-1 and EN 13445 standards.

Evaporator : Direct expansion evaporator is manufactured in Shell & Tube form and special high efficient copper tubes are fixed to steel tubesheet holes with tube expander method. It's allowed to maintenance and clean up because of the removable tube bundle. Evaporators are in conformity with EN 14276-1 and EN 13445 standards and designed for chilling water and glycol brines. External surface of evaporators and suction lines are insulated with insulation material with suitable thickness.

Electrical Control Panel : The panel is designed to IP54. To operate the Unit automatically and securely, the panel is composed of two different section. The first section is power section and the other one is control section. The panel is equipped with enough number of contactors, thermics, fuses and on-off switches. The panel and wiring are in conformity with EN 60204-1 standart. Required power supply is 3 ph, 400 Volt, 50 Hz.

Microprocessor Control Sytem : Microprocessor control system is used on the Unit. By means of this ; entering and leaving water temperatures, refrigerant pressures on the suction and discharge lines, occurred super-heat temperature, operating times of compressors, all faults occurred on the system and all alarm history can be seen on the digital screen and also capacity control can be made easily. Besides the operating times of each compressor is balanced automatically and optimum efficient operation of the Unit is provided.

Componentes of the Cooling Circuit : To operate the Unit automatically and securely; electronic expansion valve , drier- filter, sight glass, relief valve, flow- switch, high and low pressure switches and shut-off valves are included.

Options : Depending on customer request, the Unit can be delivered with the following options;

- Remote monitoring and control via BMS
- Remote display
- Cold climate kits

ERBAY Soğuk Su Üretici Grupları, EN ISO 9001:2015 Kalite Yönetim Sisteminin uygulandığı fabrikamızda kapasite tablosundaki soğuk su çıkış sıcaklıklarını verecek şekilde dizayn edilmiştir. Soğutma Gruplarımız fabrikamızda her türlü boru ve kablo bağlantısı, gaz-yağ şarjı ve gerekli testleri yapılmış olarak ve yerine yerleştirmeye hazır halde teslim edilmeliler. Soğutma Gruplarımız sağlık emniyeti ve güvenlik gereksinimleri konusunda Avrupa Birliği direktiflerine ve ilgili harmonize standartlarına uygundur.

Aşağıdaki kısımlardan müteşekkil olan Soğutma Gruplarının Kapasiteleri 112,9 kW ile 2.120 kW arasında değişmektedir.

Soğutma Kompresörü: Kapasiteye göre 1 veya 2 adet yarı kapalı kompakt vidalı (semi-hermetic compact screw) kompresör kullanılmaktadır. Vidalı kompresör yapısı gereği uzun müddet bakım gerektirmeksizin çalışmaktadır. Hareketli parçaların az olması sebebiyle bakımı kolay ve ekonomiktir. Vidalı kompresörler; basma kapama vanası, basma hattındaki akışkanın geri dönüşünü engelleyen check valf, yağ seviye switchi, yağ gözetleme camı, yağ ayırıcı, filtre, karter ısıtıcı, kapasite kontrol solenoidleri, titreşim takozları, motor koruma rölesi ve PTC sensörleri ile teçhiz edilmiştir. Gerekli şebeke gerilimi; 3 faz, 400 V, 50 Hz'dir.

Kondenser (Yoğuşturucu) : Shell & Tube tipinde imal edilen kondenserler özel yüksek verimli bakır boruların çelik ayna deliklerine özel işlem ile tespit edilmesi suretiyle üretilmiştir. Kondenserler EN 14276-1 ve EN 13445 standartlarına uygun olarak üretilmektedir.

Evaporatör : Shell & Tube tipinde imal edilen direkt genişlemeli evaporatörler özel yüksek verimli bakır boruların çelik ayna deliklerine özel işlem ile tespit edilmesi suretiyle üretilmiştir. Boru demetinin sökülebilir olması bakım ve temizlik imkanı sağlar. EN 14276-1 ve EN 13445 standartlarına uygun olarak imal edilen evaporatörler su ve glikol çözeltilerinin soğutulması için tasarlanmıştır. Evaporatörlerin dış yüzeyi ve kompresör emiş hatları uygun kalınlıkta izolasyon malzemesi kullanılarak izole edilmektedir.

Elektrik kumanda panosu : IP54 koruma sınıfına göre tasarlanmıştır. Cihazın tam otomatik ve güvenli olarak çalışmasını sağlayacak şekilde güç ve kumanda tarafları olmak üzere iki kısımdan müteşekkilidir. Pano yeterli miktarda kontaktör, termik, sigorta ve şalter ile teçhiz edilmiştir. Cihazın panosu ve cihaz içi kablo tesisatı EN 60204-1 standartına uygundur. Gerekli şebeke gerilimi 3 faz, 400V, 50 Hz'dir

Mikroişlemci kontrol sistemi : Cihazda kullanılan mikroişlemci kontrol sistemi sayesinde su giriş ve çıkış sıcaklıkları, emme ve basma tarafındaki gaz basınçları, evaporatörlerde oluşan aşırı ısıtma (superheat) sıcaklığı, kompresörlerin çalışma zamanları, oluşan tüm arızalar ve geçmişte vukubulan tüm arıza kayıtları ekranda dijital olarak görülebilmekte ve kolaylıkla kapasite kontrolü yapılabilmektedir. Ayrıca her kompresörün çalışma süreleri otomatik olarak dengede tutulmakta ve cihazın optimum verimde çalışması sağlanmaktadır.

Soğutma devresi elemanları : Cihazın otomatik ve güvenli şekilde çalışması için elektronik genişleme valfi, drier-filtre, gözetleme camı, emniyet ventili, su akış kontrol otomatığı, alçak ve yüksek basınç switchleri ve soğutma valfleri konmuştur.

Opsiyonlar : Cihaz müşteri talebine bağlı olarak aşağıdaki opsiyonlar ile teslim edilebilmektedir.

- BMS üzerinden uzaktan izleme ve kontrol
- Ekran çoklama
- Soğuk iklim kitleri

Technical Specifications *Teknik Özellikler*

TYPE Cihaz Tipi	EBSV -											
	125A.1	170A.1	195A.1	225A.1	240A.1	300A.1	350A.1	410A.1	475A.1	550A.1	620A.1	730A.1
Nominal Capacity (kW) <i>Nominal Kapasite</i>	125,3	167,2	192,2	219	237	303	345	410	475	544	619	730
Nominal Power Input of the Comp. (kW) <i>Nominal Kompresör Gücü</i>	26,3	36	41	46,7	50,3	63,8	72,7	85,2	96,8	110,8	125,2	154,4
Number of Compressors <i>Kompresör Adedi</i>	1	1	1	1	1	1	1	1	1	1	1	1
Capacity Control <i>Kapasite Kontrol</i>	Infinite / Sürekli (3 steps on request / İsteğe bağlı 3 kademe)											
Nominal Evaporator Water Flowrate (m³/h) <i>Nominal Evaporatör Su Debisi</i>	21,6	28,8	33,1	37,7	40,8	52,1	59,3	70,5	81,7	93,6	106,5	125,6
Nominal Condenser Water Flowrate (m³/h) <i>Nominal Kondenser Su Debisi</i>	26,1	35	40,1	45,7	49,4	63,1	71,8	85,2	98,3	112,6	128	152,1
Number of Cooling Circuits <i>Soğutma Devre Sayısı</i>	1	1	1	1	1	1	1	1	1	1	1	1
Refrigerant Charge (kg) <i>Soğutucu Gaz Miktarı</i>	30	44	45	56	57	81	83	84	86	101	131	133
Oil Charge (lt) / Yağ Miktarı	9	14	14	14	21	18	18	29	29	29	29	31
Sound Pressure Level dB(A) <i>Cihaz Ses Seviyesi</i>	49	49	49	49	53	53	53	54	54	55	56	58
Operating Weight ~ (kg) / İşletme Ağırlığı	1035	1295	1405	1485	1855	2010	2190	2540	2930	3135	3545	3785

(1) Values are based on evaporator entering / leaving water temp. 12°C / 7 °C and condenser entering water temp. 28 °C
Evaporatöre su giriş / çıkış 12 °C / 7 °C , kondensere su giriş sıcaklığı 28 °C 'ye göre verilmiştir.

Note: Required power supply is 3 ph-400Volt-50 Hz.
Not: Gerekli şebeke gerilimi 3 faz- 400 Volt-50Hz'dir.

(2) Values are based on freefield conditions in 10 meter distance.
Boş alanda 10 metre mesafedeki değerlere göre verilmiştir.

Technical Specifications *Teknik Özellikler*

TYPE Cihaz Tipi	EBSV -											
	125A.2	170A.2	195A.2	225A.2	240A.2	300A.2	350A.2	410A.2	475A.2	550A.2	620A.2	730A.2
Nominal Capacity (kW) <i>Nominal Kapasite</i>	250,6	334,4	384,4	438	474	606	690	820	950	1088	1238	1460
Nominal Power Input of the Comp. (kW) <i>Nominal Kompresör Gücü</i>	52,6	72	82	93,4	100,6	127,6	145,4	170,4	193,6	221,6	250,4	308,8
Number of Compressors <i>Kompresör Adedi</i>	2	2	2	2	2	2	2	2	2	2	2	2
Capacity Control <i>Kapasite Kontrol</i>	Infinite / Sürekli (6 steps on request / isteğe bağlı 6 kademe)											
Nominal Evaporator Water Flowrate (m³/h) <i>Nominal Evaporatör Su Debisi</i>	43,2	57,6	66,2	75,4	81,6	104,2	118,6	141	163,4	187,2	213	251,2
Nominal Condenser Water Flowrate (m³/h) <i>Nominal Kondenser Su Debisi</i>	52,2	70	80,2	91,4	98,8	126,2	143,6	170,4	196,6	225,2	256	304,2
Number of Cooling Circuits <i>Soğutma Devre Sayısı</i>	2	2	2	2	2	2	2	2	2	2	2	2
Refrigerant Charge (kg) <i>Soğutucu Gaz Miktarı</i>	61	92	93	113	114	153	154	167	172	202	262	267
Oil Charge (lt) / Yağ Miktarı	18	28	28	28	42	36	36	58	58	58	58	62
Sound Pressure Level dB(A) <i>Cihaz Ses Seviyesi</i>	50	50	50	50	54	54	54	57	57	58	59	61
Operating Weight ~ (kg) / İşletme Ağırlığı	2260	2835	3035	3220	3985	4260	4500	5575	6120	6595	7410	7895

(1) Values are based on evaporator entering / leaving water temp. 12°C / 7 °C and condenser entering water temp. 28 °C
Evaporatöre su giriş / çıkış 12 °C / 7 °C , kondensere su giriş sıcaklığı 28 °C 'ye göre verilmiştir.

(2) Values are based on freefield conditions in 10 meter distance.
Boş alanda 10 metre mesafedeki değerlere göre verilmiştir.

Note: Required power supply is 3 ph-400Volt-50 Hz.
Not: Gerekli şebeke gerilimi 3 faz- 400 Volt-50Hz'dir.

Capacity Table (kW) Kapasite Tablosu

R134A

TYPE CİHAZ TİPİ	CONDENSER ENTERING WATER TEMPERATURE / KONDENSERE SU GİRİŞ SICAKLIĞI																										
	25 °C			26 °C			27 °C			28 °C			29 °C			30 °C			31 °C			32 °C			33 °C		
	Q	No	Q	No	Q	No	Q	No	Q	No	Q	No	Q	No	Q	No	Q	No	Q	No	Q	No	Q	No			
CHILLED WATER LEAVING SU ÇIKIŞI	6 °C	124,6	24,8	123,2	25,2	121,8	25,7	120,3	26,2	118,9	26,6	117,4	27,1	115,9	27,6	114,4	28,1	112,9	28,7	111,4	29,2	109,9	29,7	108,4	30,2		
	7 °C	129,6	25,0	128,2	25,4	126,7	25,9	125,3	26,3	123,8	26,8	122,3	27,3	120,7	27,8	119,2	28,3	117,6	28,8	116,1	29,3	114,5	29,8	113,0	30,3		
	8 °C	134,8	25,1	133,4	25,6	131,9	26,0	130,3	26,5	128,8	27,0	127,3	27,5	125,7	28,0	124,1	28,5	122,5	29,0	121,0	29,5	119,4	30,0	117,9	30,5		
	9 °C	140,2	25,3	138,7	25,8	137,2	26,2	135,6	26,7	134,0	27,2	132,4	27,7	130,8	28,2	129,2	28,7	127,5	29,2	126,0	29,7	124,4	30,2	122,8	30,7		
	10 °C	145,8	25,5	144,2	26,0	142,6	26,4	141,0	26,9	139,4	27,4	137,7	27,9	136,1	28,4	134,4	28,9	132,7	29,4	131,2	29,9	129,5	30,4	127,9	30,9		
	11 °C	151,5	25,7	149,8	26,1	148,2	26,6	146,6	27,1	144,9	27,6	143,2	28,0	141,5	28,5	139,8	29,1	138,0	29,6	136,3	30,1	134,5	30,6	132,8	31,1		
	12 °C	157,3	25,9	155,7	26,3	154,0	26,8	152,3	27,3	150,6	27,8	148,8	28,2	147,1	28,7	145,3	29,3	143,5	29,8	141,8	30,3	140,0	30,8	138,2	31,3		
	13 °C	163,4	26,1	161,7	26,5	159,9	27,0	158,2	27,5	156,4	28,0	154,6	28,4	152,8	29,0	151,0	29,5	149,2	30,0	147,4	30,5	145,6	31,0	143,8	31,5		
	14 °C	169,6	26,3	167,8	26,7	166,1	27,2	164,3	27,7	162,4	28,2	160,6	28,7	158,7	29,2	156,9	29,7	155,0	30,2	153,2	30,7	151,4	31,2	149,6	31,7		
	15 °C	176,0	26,5	174,2	26,9	172,4	27,4	170,5	27,9	168,6	28,4	166,8	28,9	164,8	29,4	162,9	29,9	161,0	30,4	159,1	30,9	157,2	31,4	155,3	31,9		
	EBSV - 125A.1	6 °C	166,2	33,8	164,2	34,4	162,3	35,1	160,2	35,8	158,2	36,4	156,2	37,1	154,1	37,9	152,0	38,6	149,8	39,3	147,7	40,0	145,5	40,7	143,3	41,4	
		7 °C	173,3	34,1	171,3	34,7	169,2	35,4	167,2	36,0	165,1	36,7	163,0	37,4	160,8	38,1	158,6	38,9	156,4	39,6	154,3	40,3	152,1	41,0	149,8	41,7	
		8 °C	180,6	34,4	178,5	35,0	176,4	35,7	174,3	36,3	172,2	37,0	170,0	37,7	167,8	38,4	165,5	39,2	163,2	39,9	160,9	40,5	158,6	41,1	156,3	41,8	
		9 °C	188,2	34,7	186,0	35,4	183,9	36,0	181,7	36,7	179,5	37,3	177,2	38,0	174,9	38,7	172,6	39,5	170,3	40,2	168,0	40,8	165,7	41,4	163,4	41,9	
		10 °C	196,0	35,1	193,8	35,7	191,5	36,3	189,3	37,0	187,0	37,7	184,7	38,4	182,3	39,1	180,0	39,8	177,5	40,6	175,1	40,4	172,8	41,0	170,5	41,4	
11 °C		204,0	35,4	202,0	36,0	199,5	36,7	197,1	37,3	194,8	38,0	192,4	38,7	190,0	39,4	187,5	40,1	185,0	40,9	182,5	41,3	180,0	41,7	177,5	42,1		
12 °C		212,0	35,8	210,0	36,4	208,0	37,0	205,0	37,7	203,0	38,4	200,0	39,1	197,9	39,8	195,3	40,5	192,8	41,2	190,1	41,5	187,5	42,0	185,0	42,4		
13 °C		221,0	36,2	218,0	36,8	216,0	37,4	214,0	38,1	211,0	38,7	209,0	39,4	206,0	40,1	203,0	40,9	201,0	41,6	198,0	42,0	195,0	42,7	192,0	43,4		
14 °C		230,0	36,6	227,0	37,2	225,0	37,8	222,0	38,5	220,0	39,1	217,0	39,8	214,0	40,5	212,0	41,3	209,0	42,0	206,0	42,6	203,0	43,3	200,0	44,0		
15 °C		239,0	37,0	236,0	37,6	234,0	38,2	231,0	38,9	228,0	39,5	226,0	40,2	223,0	40,9	220,0	41,7	217,0	42,4	214,0	43,0	211,0	43,8	208,0	45,0		
EBSV - 170A.1		6 °C	190,4	38,5	188,5	39,2	186,6	39,9	184,6	40,7	182,6	41,4	180,5	42,2	178,4	43,0	176,2	43,8	174,1	44,6	172,0	45,3	169,8	46,0	167,6	47,0	
		7 °C	198,2	38,8	196,3	39,6	194,3	40,3	192,2	41,0	190,1	41,8	188,0	42,6	185,9	43,4	183,7	44,2	181,4	45,0	179,2	45,7	177,0	46,4	174,8	47,7	
		8 °C	206,0	39,2	204,0	40,0	202,0	40,7	200,0	41,4	198,0	42,2	195,8	43,0	193,6	43,7	191,3	44,5	189,0	45,4	186,7	46,1	184,4	47,5	182,1	48,6	
		9 °C	215,0	39,7	212,0	40,4	210,0	41,1	208,0	41,8	206,0	42,6	204,0	43,3	202,0	44,1	199,2	44,9	196,8	45,7	194,3	46,4	191,8	47,8	189,3	49,9	
		10 °C	223,0	40,1	221,0	40,8	219,0	41,5	217,0	42,2	214,0	43,0	212,0	43,7	210,0	44,5	207,0	45,3	205,0	46,1	202,0	46,8	199,0	48,3	196,0	51,4	
	11 °C	232,0	40,5	230,0	41,2	227,0	41,9	225,0	42,7	223,0	43,4	221,0	44,2	218,0	44,9	216,0	45,7	213,0	46,5	210,0	47,2	207,0	49,4	204,0	54,5		
	12 °C	241,0	41,0	239,0	41,7	236,0	42,4	234,0	43,1	232,0	43,8	229,0	44,6	227,0	45,3	224,0	46,1	222,0	46,9	219,0	48,4	216,0	51,5	213,0	58,6		
	13 °C	250,0	41,4	248,0	42,1	246,0	42,8	243,0	43,5	241,0	44,3	238,0	45,0	236,0	45,8	233,0	46,5	231,0	47,3	228,0	49,6	225,0	54,6	222,0	62,7		
	14 °C	260,0	41,9	258,0	42,6	255,0	43,3	253,0	44,0	250,0	44,7	248,0	45,4	245,0	46,2	242,0	47,0	240,0	47,7	237,0	50,7	234,0	55,8	231,0	63,8		
	15 °C	270,0	42,4	267,0	43,1	265,0	43,8	262,0	44,5	260,0	45,2	257,0	45,9	255,0	46,6	252,0	47,4	249,0	48,2	246,0	51,8	243,0	56,9	240,0	64,9		
	EBSV - 195A.1	6 °C	190,4	38,5	188,5	39,2	186,6	39,9	184,6	40,7	182,6	41,4	180,5	42,2	178,4	43,0	176,2	43,8	174,1	44,6	172,0	45,3	169,8	46,0	167,6	47,0	
		7 °C	198,2	38,8	196,3	39,6	194,3	40,3	192,2	41,0	190,1	41,8	188,0	42,6	185,9	43,4	183,7	44,2	181,4	45,0	179,2	45,7	177,0	46,4	174,8	47,7	
		8 °C	206,0	39,2	204,0	40,0	202,0	40,7	200,0	41,4	198,0	42,2	195,8	43,0	193,6	43,7	191,3	44,5	189,0	45,4	186,7	46,1	184,4	47,5	182,1	48,6	
		9 °C	215,0	39,7	212,0	40,4	210,0	41,1	208,0	41,8	206,0	42,6	204,0	43,3	202,0	44,1	199,2	44,9	196,8	45,7	194,3	46,4	191,8	47,8	189,3	49,9	
		10 °C	223,0	40,1	221,0	40,8	219,0	41,5	217,0	42,2	214,0	43,0	212,0	43,7	210,0	44,5	207,0	45,3	205,0	46,1	202,0	46,8	199,0	48,3	196,0	51,4	
11 °C		232,0	40,5	230,0	41,2	227,0	41,9	225,0	42,7	223,0	43,4	221,0	44,2	218,0	44,9	216,0	45,7	213,0	46,5	210,0	47,2	207,0	49,4	204,0	54,5		
12 °C		241,0	41,0	239,0	41,7	236,0	42,4	234,0	43,1	232,0	43,8	229,0	44,6	227,0	45,3	224,0	46,1	222,0	46,9	219,0	48,4	216,0	51,5	213,0	58,6		
13 °C		250,0	41,4	248,0	42,1	246,0	42,8	243,0	43,5	241,0	44,3	238,0	45,0	236,0	45,8	233,0	46,5	231,0	47,3	228,0	49,6	225,0	54,6	222,0	62,7		
14 °C		260,0	41,9	258,0	42,6	255,0	43,3	253,0	44,0	250,0	44,7	248,0	45,4	245,0	46,2	242,0	47,0	240,0	47,7	237,0	50,7	234,0	55,8	231,0	63,8		
15 °C		270,0	42,4	267,0	43,1	265,0	43,8	262,0	44,5	260,0	45,2	257,0	45,9	255,0	46,6	252,0	47,4	249,0	48,2	246,0	51,8	243,0	56,9	240,0	64,9		

N_P= Power input (kW) Kompresör mil gücü

Q= Cooling capacity (kW) Soğutma kapasitesi

Capacity Table (kW) Kapasite Tablosu

R134A

CHILLED WATER LEAVING SU ÇIKIŞI	CONDENSER ENTERING WATER TEMPERATURE / KONDENSERE SU GİRİŞ SICAKLIĞI																			
	25 °C		26 °C		27 °C		28 °C		29 °C		30 °C		31 °C		32 °C		33 °C			
	Q	N ₀	Q	N ₀	Q	N ₀	Q	N ₀	Q	N ₀	Q	N ₀	Q	N ₀	Q	N ₀	Q	N ₀		
EBSV - 225A.1	6 °C	2170	43,8	215,0	44,6	212,0	45,5	210,0	46,3	208,0	47,2	206,0	48,1	203,0	49,0	201,0	49,9	198,2	50,8	
	7 °C	226,0	44,2	224,0	45,1	221,0	45,9	219,0	46,7	217,0	47,6	214,0	48,5	212,0	49,4	209,0	50,3	207,0	51,3	
	8 °C	235,0	44,7	233,0	45,5	230,0	46,3	228,0	47,2	225,0	48,0	223,0	48,9	220,0	49,8	218,0	50,7	215,0	51,7	
	9 °C	244,0	45,2	242,0	46,0	240,0	46,8	237,0	47,6	235,0	48,5	232,0	49,4	230,0	50,3	227,0	51,2	224,0	52,1	
	10 °C	254,0	45,7	252,0	46,5	249,0	47,3	247,0	48,1	244,0	49,0	242,0	49,8	239,0	50,7	236,0	51,6	233,0	52,5	
	11 °C	264,0	46,2	262,0	47,0	259,0	47,8	257,0	48,6	254,0	49,4	251,0	50,3	249,0	51,2	246,0	52,1	243,0	53,0	
	12 °C	274,0	46,7	272,0	47,5	269,0	48,3	267,0	49,1	264,0	49,9	261,0	50,8	258,0	51,6	256,0	52,5	253,0	53,4	
	13 °C	285,0	47,2	282,0	48,0	280,0	48,8	277,0	49,6	274,0	50,4	272,0	51,3	269,0	52,1	266,0	53,0	263,0	53,9	
	14 °C	296,0	47,8	293,0	48,5	291,0	49,3	288,0	50,1	285,0	50,9	282,0	51,8	279,0	52,6	276,0	53,5	273,0	54,4	
	15 °C	307,0	48,3	305,0	49,1	302,0	49,9	299,0	50,6	296,0	51,5	293,0	52,3	290,0	53,1	287,0	54,0	284,0	54,9	
	EBSV - 240A.1	6 °C	235,0	47,3	233,0	48,2	230,0	49,1	227,0	50,0	225,0	50,9	222,0	51,9	220,0	52,9	217,0	53,9	214,0	55,0
		7 °C	244,0	47,7	242,0	48,5	239,0	49,4	237,0	50,3	234,0	51,3	231,0	52,2	229,0	53,2	226,0	54,3	223,0	55,3
		8 °C	254,0	48,0	252,0	48,9	249,0	49,8	246,0	50,7	243,0	51,6	241,0	52,6	238,0	53,6	235,0	54,6	232,0	55,7
		9 °C	264,0	48,4	261,0	49,3	259,0	50,1	256,0	51,0	253,0	52,0	250,0	52,9	247,0	53,9	244,0	54,9	242,0	56,0
		10 °C	274,0	48,8	272,0	49,6	269,0	50,5	266,0	51,4	263,0	52,3	260,0	53,3	257,0	54,3	254,0	55,3	251,0	56,3
11 °C		285,0	49,2	282,0	50,0	279,0	50,9	276,0	51,8	273,0	52,7	270,0	53,7	267,0	54,6	264,0	55,7	261,0	56,7	
12 °C		296,0	49,6	293,0	50,5	290,0	51,3	287,0	52,2	284,0	53,1	281,0	54,1	278,0	55,0	275,0	56,0	271,0	57,1	
13 °C		307,0	50,1	304,0	50,9	301,0	51,7	298,0	52,6	295,0	53,5	292,0	54,5	288,0	55,4	285,0	56,5	282,0	57,5	
14 °C		319,0	50,5	316,0	51,4	313,0	52,2	309,0	53,1	306,0	54,0	303,0	54,9	299,0	55,9	296,0	56,9	293,0	57,9	
15 °C		331,0	51,0	328,0	51,8	324,0	52,7	321,0	53,5	318,0	54,4	314,0	55,4	311,0	56,3	307,0	57,3	304,0	58,3	
EBSV - 300A.1		6 °C	301,0	60,0	297,0	61,1	294,0	62,2	291,0	63,4	287,0	64,6	284,0	65,8	281,0	67,1	277,0	68,4	274,0	69,7
		7 °C	313,0	60,5	310,0	61,6	306,0	62,7	303,0	63,8	299,0	65,0	296,0	66,3	292,0	67,5	289,0	68,8	285,0	70,2
		8 °C	326,0	61,0	322,0	62,1	319,0	63,2	315,0	64,3	312,0	65,5	308,0	66,7	304,0	68,0	301,0	69,3	297,0	70,7
		9 °C	339,0	61,5	335,0	62,6	331,0	63,7	328,0	64,8	324,0	66,0	320,0	67,2	317,0	68,5	313,0	69,8	309,0	71,2
		10 °C	352,0	62,0	348,0	63,1	345,0	64,2	341,0	65,4	337,0	66,5	333,0	67,8	329,0	69,0	326,0	70,3	322,0	71,7
	11 °C	366,0	62,6	362,0	63,7	358,0	64,8	354,0	65,9	351,0	67,1	347,0	68,3	343,0	69,6	339,0	70,8	335,0	72,2	
	12 °C	380,0	63,2	376,0	64,2	372,0	65,3	368,0	66,5	364,0	67,6	360,0	68,8	356,0	70,1	352,0	71,4	348,0	72,7	
	13 °C	395,0	63,7	391,0	64,8	387,0	65,9	383,0	67,0	379,0	68,2	374,0	69,4	370,0	70,6	366,0	71,9	362,0	73,3	
	14 °C	410,0	64,3	406,0	65,4	402,0	66,5	398,0	67,6	393,0	68,8	389,0	70,0	385,0	71,2	380,0	72,5	376,0	73,8	
	15 °C	426,0	65,0	421,0	66,0	417,0	67,1	413,0	68,2	408,0	69,4	404,0	70,6	400,0	71,8	395,0	73,1	391,0	74,4	

N₀= Power input (kW) Kompresör mil gücü

Q= Cooling capacity (kW) Soğutma kapasitesi

Capacity Table (kW) Kapasite Tablosu

R134A

TYPE CIHAZ TİPİ	CONDENSER ENTERING WATER TEMPERATURE / KONDENSERE SU GİRİŞ SICAKLIĞI																			
	25 °C		26 °C		27 °C		28 °C		29 °C		30 °C		31 °C		32 °C		33 °C			
	Q	N _o	Q	N _o	Q	N _o	Q	N _o	Q	N _o	Q	N _o	Q	N _o	Q	N _o	Q	N _o		
CHILLED WATER LEAVING SU ÇIKIŞI	6 °C	342,0	68,3	339,0	69,5	335,0	70,8	331,0	72,1	327,0	73,5	323,0	74,9	319,0	76,3	315,0	77,8	311,0	79,4	
	7 °C	356,0	68,8	352,0	70,1	348,0	71,3	345,0	72,7	341,0	74,0	337,0	75,4	333,0	76,9	329,0	78,4	325,0	79,9	
	8 °C	371,0	69,4	367,0	70,6	363,0	71,9	359,0	73,2	355,0	74,6	350,0	76,0	346,0	77,4	342,0	78,9	338,0	80,4	
	9 °C	385,0	70,0	381,0	71,2	377,0	72,5	373,0	73,8	369,0	75,2	365,0	76,5	360,0	78,0	356,0	79,5	352,0	81,0	
	10 °C	401,0	70,6	397,0	71,8	392,0	73,1	388,0	74,4	384,0	75,7	379,0	77,1	375,0	78,6	371,0	80,0	366,0	81,6	
	11 °C	417,0	71,2	412,0	72,5	408,0	73,7	403,0	75,0	399,0	76,4	395,0	77,7	390,0	79,2	386,0	80,6	381,0	82,2	
	12 °C	433,0	71,9	428,0	73,1	424,0	74,4	419,0	75,6	415,0	77,0	410,0	78,4	406,0	79,8	401,0	81,3	396,0	82,8	
	13 °C	449,0	72,6	445,0	73,8	440,0	75,0	436,0	76,3	431,0	77,6	426,0	79,0	421,0	80,4	417,0	81,9	412,0	83,4	
	14 °C	467,0	73,2	462,0	74,4	457,0	75,7	453,0	77,0	448,0	78,3	443,0	79,7	438,0	81,1	433,0	82,5	428,0	84,0	
	15 °C	484,0	73,9	480,0	75,1	475,0	76,4	470,0	77,6	465,0	79,0	460,0	80,3	455,0	81,7	450,0	83,2	445,0	84,7	
	EBSV - 350A.1	6 °C	407,0	80,3	402,0	81,7	398,0	83,2	393,0	84,7	389,0	86,3	384,0	88,0	379,0	89,7	375,0	91,4	370,0	93,2
		7 °C	423,0	80,8	419,0	82,2	414,0	83,7	410,0	85,2	405,0	86,8	400,0	88,4	395,0	90,1	390,0	91,9	385,0	93,7
		8 °C	440,0	81,2	436,0	82,7	431,0	84,1	426,0	85,7	421,0	87,3	416,0	88,9	411,0	90,6	406,0	92,4	401,0	94,2
		9 °C	458,0	81,7	453,0	83,1	448,0	84,6	443,0	86,1	438,0	87,7	433,0	89,4	428,0	91,0	423,0	92,8	418,0	94,6
		10 °C	476,0	82,3	471,0	83,6	466,0	85,1	461,0	86,6	456,0	88,2	450,0	89,8	445,0	91,5	440,0	93,2	435,0	95,0
11 °C		494,0	82,8	489,0	84,1	484,0	85,6	479,0	87,0	474,0	88,6	468,0	90,2	463,0	91,9	457,0	93,7	452,0	95,5	
12 °C		513,0	83,3	508,0	84,6	503,0	86,0	497,0	87,5	492,0	89,0	487,0	90,6	481,0	92,3	475,0	94,1	470,0	95,9	
13 °C		533,0	83,8	527,0	85,1	522,0	86,5	517,0	87,9	511,0	89,5	505,0	91,1	500,0	92,7	494,0	94,4	488,0	96,2	
14 °C		553,0	84,4	547,0	85,6	542,0	87,0	536,0	88,4	531,0	89,9	525,0	91,4	519,0	93,1	513,0	94,8	507,0	96,6	
15 °C		574,0	84,9	568,0	86,1	562,0	87,4	557,0	88,8	551,0	90,3	545,0	91,8	539,0	93,5	533,0	95,2	527,0	96,9	
EBSV - 410A.1		6 °C	470,0	91,1	466,0	92,8	461,0	94,4	456,0	96,1	451,0	97,8	446,0	99,6	441,0	101,3	436,0	103,1	431,0	105,0
		7 °C	490,0	91,8	485,0	93,4	480,0	95,1	475,0	96,8	470,0	98,5	465,0	100,2	460,0	102,0	454,0	103,8	449,0	105,6
		8 °C	510,0	92,4	505,0	94,1	500,0	95,7	495,0	97,4	490,0	99,2	485,0	100,9	479,0	102,7	474,0	104,5	468,0	106,3
		9 °C	530,0	93,1	526,0	94,8	521,0	96,4	515,0	98,1	510,0	99,9	505,0	101,6	499,0	103,4	493,0	105,2	487,0	107,0
		10 °C	552,0	93,8	547,0	95,5	542,0	97,2	536,0	98,9	531,0	100,6	525,0	102,3	519,0	104,1	514,0	105,9	507,0	107,8
	11 °C	574,0	94,6	569,0	96,3	563,0	97,9	558,0	99,6	552,0	101,4	546,0	103,1	541,0	104,9	534,0	106,7	528,0	108,5	
	12 °C	597,0	95,4	591,0	97,0	586,0	98,7	580,0	100,4	574,0	102,2	568,0	103,9	562,0	105,7	556,0	107,5	550,0	109,3	
	13 °C	620,0	96,2	615,0	97,9	609,0	99,5	603,0	101,3	597,0	103,0	591,0	104,7	585,0	106,5	578,0	108,3	572,0	110,2	
	14 °C	644,0	97,0	639,0	98,7	633,0	100,4	627,0	102,1	621,0	103,9	614,0	105,6	608,0	107,4	601,0	109,2	594,0	111,1	
	15 °C	669,0	97,9	663,0	99,6	657,0	101,3	651,0	103,0	645,0	104,8	638,0	106,5	632,0	108,3	625,0	110,1	618,0	112,0	
	EBSV - 475A.1	6 °C	470,0	91,1	466,0	92,8	461,0	94,4	456,0	96,1	451,0	97,8	446,0	99,6	441,0	101,3	436,0	103,1	431,0	105,0
		7 °C	490,0	91,8	485,0	93,4	480,0	95,1	475,0	96,8	470,0	98,5	465,0	100,2	460,0	102,0	454,0	103,8	449,0	105,6
		8 °C	510,0	92,4	505,0	94,1	500,0	95,7	495,0	97,4	490,0	99,2	485,0	100,9	479,0	102,7	474,0	104,5	468,0	106,3
	EBSV - 475A.1	9 °C	530,0	93,1	526,0	94,8	521,0	96,4	515,0	98,1	510,0	99,9	505,0	101,6	499,0	103,4	493,0	105,2	487,0	107,0
		10 °C	552,0	93,8	547,0	95,5	542,0	97,2	536,0	98,9	531,0	100,6	525,0	102,3	519,0	104,1	514,0	105,9	507,0	107,8
11 °C		574,0	94,6	569,0	96,3	563,0	97,9	558,0	99,6	552,0	101,4	546,0	103,1	541,0	104,9	534,0	106,7	528,0	108,5	
12 °C		597,0	95,4	591,0	97,0	586,0	98,7	580,0	100,4	574,0	102,2	568,0	103,9	562,0	105,7	556,0	107,5	550,0	109,3	
13 °C		620,0	96,2	615,0	97,9	609,0	99,5	603,0	101,3	597,0	103,0	591,0	104,7	585,0	106,5	578,0	108,3	572,0	110,2	
14 °C		644,0	97,0	639,0	98,7	633,0	100,4	627,0	102,1	621,0	103,9	614,0	105,6	608,0	107,4	601,0	109,2	594,0	111,1	
15 °C		669,0	97,9	663,0	99,6	657,0	101,3	651,0	103,0	645,0	104,8	638,0	106,5	632,0	108,3	625,0	110,1	618,0	112,0	

N_o= Power input (kW) Kompresör mil gücü

Q= Cooling capacity (kW) Soğutma kapasitesi

Capacity Table (kW) Kapasite Tablosu

R134A

TYPE CİHAZ TİPİ	CONDENSER ENTERING WATER TEMP. / KONDENSERE SU GİRİŞ SICAKLIĞI / CONDENSER BEARING AIR TEMP. / SOĞUTULAN HAVANIN SICAKLIĞI																			
	25 °C		26 °C		27 °C		28 °C		29 °C		30 °C		31 °C		32 °C		33 °C			
	Q	N ₀	Q	N ₀	Q	N ₀	Q	N ₀	Q	N ₀	Q	N ₀	Q	N ₀	Q	N ₀	Q	N ₀		
CHILLED WATER LEAVING SU ÇIKIŞI	6 °C	540,0	104,0	534,0	106,0	108,0	529,0	108,0	110,1	518,0	112,2	114,4	507,0	116,6	501,0	118,9	495,0	121,3		
	7 °C	561,0	104,7	556,0	106,7	108,7	550,0	108,7	110,8	539,0	112,9	115,1	527,0	117,3	521,0	119,6	515,0	121,9		
	8 °C	584,0	105,3	578,0	107,3	109,3	572,0	109,3	111,4	560,0	113,6	115,7	548,0	118,0	542,0	120,3	536,0	122,6		
	9 °C	606,0	106,0	600,0	108,0	110,0	595,0	110,0	112,1	583,0	114,2	116,4	570,0	118,7	564,0	121,0	558,0	123,3		
	10 °C	630,0	106,6	624,0	108,6	110,7	618,0	110,7	112,7	605,0	114,9	117,1	593,0	119,3	586,0	121,6	580,0	124,0		
	11 °C	654,0	107,3	648,0	109,3	111,3	642,0	111,3	113,4	629,0	115,6	117,8	616,0	120,0	610,0	122,3	603,0	124,7		
	12 °C	679,0	108,0	673,0	109,9	112,0	666,0	112,0	114,1	653,0	116,2	118,4	640,0	120,7	633,0	123,0	626,0	125,4		
	13 °C	705,0	108,6	698,0	110,6	112,6	692,0	112,6	114,7	678,0	116,9	119,1	665,0	121,4	658,0	123,7	651,0	126,1		
	14 °C	731,0	109,3	725,0	111,3	113,3	718,0	113,3	115,4	704,0	117,6	119,8	690,0	122,0	683,0	124,4	676,0	126,7		
	15 °C	759,0	110,0	752,0	111,9	114,0	745,0	114,0	116,1	731,0	118,2	120,4	716,0	122,7	709,0	125,0	701,0	127,4		
	EBSV - 550A.1	6 °C	613,0	117,6	607,0	119,8	122,1	601,0	122,1	124,5	588,0	126,9	129,3	576,0	131,8	569,0	134,4	563,0	137,1	
		7 °C	638,0	118,3	631,0	120,6	122,9	625,0	122,9	125,2	612,0	127,6	130,1	599,0	132,6	592,0	135,2	586,0	137,9	
		8 °C	663,0	119,1	657,0	121,3	123,6	650,0	123,6	125,9	637,0	128,4	130,8	623,0	133,4	616,0	136,0	609,0	138,6	
		9 °C	689,0	119,8	682,0	122,0	124,3	676,0	124,3	126,7	662,0	129,1	131,6	648,0	134,1	641,0	136,7	634,0	139,4	
		10 °C	716,0	120,5	709,0	122,8	125,1	702,0	125,1	127,4	688,0	129,9	132,4	674,0	134,9	666,0	137,5	659,0	140,2	
11 °C		743,0	121,3	736,0	123,5	125,8	729,0	125,8	128,2	715,0	130,6	133,1	700,0	135,7	693,0	138,3	685,0	141,0		
12 °C		772,0	122,0	764,0	124,3	126,6	757,0	126,6	129,0	742,0	131,4	133,9	727,0	136,4	720,0	139,1	712,0	141,7		
13 °C		801,0	122,8	793,0	125,0	127,3	786,0	127,3	129,7	771,0	132,1	134,6	755,0	137,2	747,0	139,8	739,0	142,5		
14 °C		831,0	123,5	823,0	125,8	128,1	816,0	128,1	130,5	800,0	132,9	135,4	784,0	138,0	776,0	140,6	768,0	143,3		
15 °C		862,0	124,3	854,0	126,5	128,8	846,0	128,8	131,2	830,0	133,7	136,2	814,0	138,7	805,0	141,4	797,0	144,0		
EBSV - 620A.1		6 °C	724,0	145,0	716,0	147,7	709,0	150,5	702,0	153,4	694,0	156,2	686,0	159,1	679,0	162,1	671,0	165,1	663,0	168,2
		7 °C	753,0	145,9	746,0	148,7	738,0	151,5	730,0	154,4	722,0	157,3	715,0	160,2	707,0	163,2	699,0	166,2	691,0	169,3
		8 °C	783,0	146,8	775,0	149,6	768,0	152,5	760,0	155,4	752,0	158,3	744,0	161,3	736,0	164,3	727,0	167,3	719,0	170,4
		9 °C	814,0	147,7	806,0	150,6	153,5	798,0	153,5	156,4	782,0	159,4	162,4	765,0	165,4	757,0	168,5	748,0	171,6	
		10 °C	846,0	148,6	838,0	151,5	154,5	830,0	154,5	157,5	813,0	160,5	163,5	796,0	166,6	787,0	169,7	779,0	172,8	
	11 °C	879,0	149,5	871,0	152,5	155,5	862,0	155,5	158,5	845,0	161,5	164,6	827,0	167,7	819,0	170,8	810,0	174,0		
	12 °C	913,0	150,4	905,0	153,4	156,5	896,0	156,5	162,6	878,0	162,6	165,8	860,0	168,9	851,0	172,0	842,0	175,2		
	13 °C	948,0	151,3	939,0	154,4	157,5	930,0	157,5	160,6	912,0	163,8	166,9	894,0	170,1	884,0	173,3	875,0	176,5		
	14 °C	984,0	152,2	975,0	155,3	158,5	966,0	158,5	161,7	947,0	164,9	168,1	928,0	171,3	918,0	174,5	909,0	177,7		
	15 °C	1.021,0	153,0	1.012,0	156,3	160,3	1.003,0	159,5	162,8	983,0	166,0	169,2	964,0	172,5	954,0	175,7	944,0	179,0		
	EBSV - 730A.1	6 °C	824,0	145,0	816,0	147,7	809,0	150,5	802,0	153,4	794,0	156,2	786,0	159,1	779,0	162,1	771,0	165,1	763,0	168,2
		7 °C	853,0	145,9	846,0	148,7	838,0	151,5	830,0	154,4	822,0	157,3	815,0	160,2	807,0	163,2	799,0	166,2	791,0	169,3
		8 °C	883,0	146,8	875,0	149,6	868,0	152,5	860,0	155,4	852,0	158,3	844,0	161,3	836,0	164,3	827,0	167,3	819,0	170,4
		9 °C	914,0	147,7	906,0	150,6	153,5	898,0	153,5	156,4	882,0	159,4	162,4	865,0	165,4	857,0	168,5	848,0	171,6	
		10 °C	946,0	148,6	938,0	151,5	154,5	930,0	154,5	157,5	913,0	160,5	163,5	896,0	166,6	887,0	169,7	879,0	172,8	
11 °C		979,0	149,5	971,0	152,5	155,5	962,0	155,5	160,6	945,0	161,5	164,6	927,0	167,7	919,0	170,8	910,0	174,0		
12 °C		1.013,0	150,4	1.005,0	153,4	156,5	996,0	156,5	162,6	978,0	162,6	165,8	960,0	168,9	951,0	172,0	942,0	175,2		
13 °C		1.048,0	151,3	1.039,0	154,4	157,5	1.030,0	157,5	160,6	1.012,0	163,8	166,9	994,0	170,1	984,0	173,3	975,0	176,5		
14 °C		1.084,0	152,2	1.075,0	155,3	158,5	1.066,0	158,5	161,7	1.047,0	164,9	168,1	1.028,0	171,3	1.018,0	174,5	1.009,0	177,7		
15 °C		1.121,0	153,0	1.112,0	156,3	160,3	1.103,0	159,5	162,8	1.083,0	166,0	169,2	1.064,0	172,5	1.054,0	175,7	1.044,0	179,0		

N₀= Power input (kW) Kompresör mil gücü

Q= Cooling capacity (kW) Soğutma kapasitesi

Capacity Table (kW) Kapasite Tablosu

R134A

TYPE CİHAZ TİPİ	CONDENSER ENTERING WATER TEMP. / KONDENSERE SU GİRİŞ SICAKLIĞI / CONDENSER ENTERING AIR TEMP. / KONDENSERE HAVASIN SICAKLIĞI																			
	25 °C		26 °C		27 °C		28 °C		29 °C		30 °C		31 °C		32 °C		33 °C			
	Q	N ₀	Q	N ₀	Q	N ₀	Q	N ₀	Q	N ₀	Q	N ₀	Q	N ₀	Q	N ₀	Q	N ₀		
CHILLED WATER LEAVING SU ÇIKIŞI	6 °C	249,2	49,6	246,4	50,4	243,6	51,4	240,6	52,4	237,8	53,2	234,8	54,2	231,8	55,2	228,8	56,2	225,8	57,4	
	7 °C	259,2	50,0	256,4	50,8	253,4	51,8	250,6	52,6	247,6	53,6	244,6	54,6	241,4	55,6	238,4	56,6	235,2	57,6	
	8 °C	269,6	50,2	266,8	51,2	263,8	52,0	260,6	53,0	257,6	54,0	254,6	55,0	251,4	56,0	248,2	57,0	245,0	58,0	
	9 °C	280,4	50,6	277,4	51,6	274,4	52,4	271,2	53,4	268,0	54,4	264,8	55,4	261,6	56,4	258,4	57,4	255,0	58,4	
	10 °C	291,6	51,0	288,4	52,0	285,2	52,8	282,0	53,8	278,8	54,8	275,4	55,8	272,2	56,8	268,8	57,8	265,4	58,8	
	11 °C	303,0	51,4	299,6	52,2	296,4	53,2	293,2	54,2	289,8	55,2	286,4	56,0	283,0	57,0	279,6	58,2	276,0	59,2	
	12 °C	314,6	51,8	311,4	52,6	308,0	53,6	304,6	54,6	301,2	55,6	297,6	56,4	294,2	57,4	290,6	58,6	287,0	59,6	
	13 °C	326,8	52,2	323,4	53,0	319,8	54,0	316,4	55,0	312,8	56,0	309,2	56,8	305,6	58,0	302,0	59,0	298,4	60,0	
	14 °C	339,2	52,6	335,6	53,4	332,2	54,4	328,6	55,4	324,8	56,4	321,2	57,4	317,4	58,4	313,8	59,4	310,0	60,4	
	15 °C	352,0	53,0	348,4	53,8	344,8	54,8	341,0	55,8	337,2	56,8	333,6	57,8	329,6	58,8	325,8	59,8	322,0	60,8	
	EBSV - 125A.2	6 °C	332,4	67,6	328,4	68,8	324,6	70,2	320,4	71,6	316,4	72,8	312,4	74,2	308,2	75,8	304,0	77,2	299,6	78,6
		7 °C	346,6	68,2	342,6	69,4	338,4	70,8	334,4	72,0	330,2	73,4	326,0	74,8	321,6	76,2	317,2	77,8	312,8	79,2
		8 °C	361,2	68,8	357,0	70,0	352,8	71,4	348,6	72,6	344,4	74,0	340,0	75,4	335,6	76,8	331,0	78,4	326,4	79,8
		9 °C	376,4	69,4	372,0	70,8	367,8	72,0	363,4	73,4	359,0	74,6	354,4	76,0	349,8	77,4	345,2	79,0	340,6	80,4
		10 °C	392,0	70,2	387,6	71,4	383,0	72,6	378,6	74,0	374,0	75,4	369,4	76,8	364,6	78,2	360,0	79,6	355,0	81,2
11 °C		408,0	70,8	404,0	72,0	399,0	73,4	394,2	74,6	389,6	76,0	384,8	77,4	380,0	78,8	375,0	80,2	370,0	81,8	
12 °C		424,0	71,6	420,0	72,8	416,0	74,0	410,0	75,4	406,0	76,8	400,0	78,2	395,8	79,6	390,6	81,0	385,6	82,4	
13 °C		442,0	72,4	436,0	73,6	432,0	74,8	428,0	76,2	422,0	77,4	418,0	78,8	412,0	80,2	406,0	81,8	402,0	83,2	
14 °C		460,0	73,2	454,0	74,4	450,0	75,6	444,0	77,0	440,0	78,2	434,0	79,6	428,0	81,0	424,0	82,6	418,0	84,0	
15 °C		478,0	74,0	472,0	75,2	468,0	76,4	462,0	77,8	456,0	79,0	452,0	80,4	446,0	81,8	440,0	83,4	434,0	84,8	
EBSV - 170A.2		6 °C	380,8	77,0	377,0	78,4	373,2	79,8	369,2	81,4	365,2	82,8	361,0	84,4	356,8	86,0	352,4	87,6	348,2	89,2
		7 °C	396,4	77,6	392,6	79,2	388,6	80,6	384,4	82,0	380,2	83,6	376,0	85,2	371,8	86,8	367,4	88,4	362,8	90,0
		8 °C	412,0	78,4	408,0	80,0	404,0	81,4	400,0	82,8	396,0	84,4	391,6	86,0	387,2	87,4	382,6	89,0	378,0	90,8
		9 °C	430,0	79,4	424,0	80,8	420,0	82,2	416,0	83,6	412,0	85,2	408,0	86,6	404,0	88,2	398,4	89,8	393,6	91,4
		10 °C	446,0	80,2	442,0	81,6	438,0	83,0	434,0	84,4	428,0	86,0	424,0	87,4	420,0	89,0	414,0	90,6	410,0	92,2
	11 °C	464,0	81,0	460,0	82,4	454,0	83,8	450,0	85,4	446,0	86,8	442,0	88,4	436,0	89,8	432,0	91,4	426,0	93,0	
	12 °C	482,0	82,0	478,0	83,4	472,0	84,8	468,0	86,2	464,0	87,6	458,0	89,2	454,0	90,6	448,0	92,2	444,0	93,8	
	13 °C	500,0	82,8	496,0	84,2	492,0	85,6	486,0	87,0	482,0	88,6	476,0	90,0	472,0	91,6	466,0	93,0	462,0	94,6	
	14 °C	520,0	83,8	516,0	85,2	510,0	86,6	506,0	88,0	500,0	89,4	496,0	90,8	490,0	92,4	484,0	94,0	480,0	95,4	
	15 °C	540,0	84,8	534,0	86,2	530,0	87,6	524,0	89,0	520,0	90,4	514,0	91,8	510,0	93,2	504,0	94,8	498,0	96,4	
	EBSV - 195A.2	6 °C	380,8	77,0	377,0	78,4	373,2	79,8	369,2	81,4	365,2	82,8	361,0	84,4	356,8	86,0	352,4	87,6	348,2	89,2
		7 °C	396,4	77,6	392,6	79,2	388,6	80,6	384,4	82,0	380,2	83,6	376,0	85,2	371,8	86,8	367,4	88,4	362,8	90,0
		8 °C	412,0	78,4	408,0	80,0	404,0	81,4	400,0	82,8	396,0	84,4	391,6	86,0	387,2	87,4	382,6	89,0	378,0	90,8
		9 °C	430,0	79,4	424,0	80,8	420,0	82,2	416,0	83,6	412,0	85,2	408,0	86,6	404,0	88,2	398,4	89,8	393,6	91,4
		10 °C	446,0	80,2	442,0	81,6	438,0	83,0	434,0	84,4	428,0	86,0	424,0	87,4	420,0	89,0	414,0	90,6	410,0	92,2
11 °C		464,0	81,0	460,0	82,4	454,0	83,8	450,0	85,4	446,0	86,8	442,0	88,4	436,0	89,8	432,0	91,4	426,0	93,0	
12 °C		482,0	82,0	478,0	83,4	472,0	84,8	468,0	86,2	464,0	87,6	458,0	89,2	454,0	90,6	448,0	92,2	444,0	93,8	
13 °C		500,0	82,8	496,0	84,2	492,0	85,6	486,0	87,0	482,0	88,6	476,0	90,0	472,0	91,6	466,0	93,0	462,0	94,6	
14 °C		520,0	83,8	516,0	85,2	510,0	86,6	506,0	88,0	500,0	89,4	496,0	90,8	490,0	92,4	484,0	94,0	480,0	95,4	
15 °C		540,0	84,8	534,0	86,2	530,0	87,6	524,0	89,0	520,0	90,4	514,0	91,8	510,0	93,2	504,0	94,8	498,0	96,4	

N₀ = Power input (kW) Kompresör mil gücü

Q = Cooling capacity (kW) Soğutma kapasitesi

Capacity Table (kW) Kapasite Tablosu

R134A

TYPE CİHAZ TİPİ	CONDENSER ENTERING WATER TEMP. / KONDENSERE SU GİRİŞ SICAKLIĞI																			
	25 °C		26 °C		27 °C		28 °C		29 °C		30 °C		31 °C		32 °C		33 °C			
	Q	N ₀	Q	N ₀	Q	N ₀	Q	N ₀	Q	N ₀	Q	N ₀	Q	N ₀	Q	N ₀	Q	N ₀		
EBSV - 225A.2	6 °C	434,0	87,6	430,0	89,2	424,0	91,0	420,0	92,6	416,0	94,4	412,0	96,2	406,0	98,0	402,0	99,8	396,4	101,6	
	7 °C	452,0	88,4	448,0	90,2	442,0	91,8	438,0	93,4	434,0	95,2	428,0	97,0	424,0	98,8	418,0	100,6	414,0	102,6	
	8 °C	470,0	89,4	466,0	91,0	460,0	92,6	456,0	94,4	450,0	96,0	446,0	97,8	440,0	99,6	436,0	101,4	430,0	103,4	
	9 °C	488,0	90,4	484,0	92,0	480,0	93,6	474,0	95,2	470,0	97,0	464,0	98,8	460,0	100,6	454,0	102,4	448,0	104,2	
	10 °C	508,0	91,4	504,0	93,0	498,0	94,6	494,0	96,2	488,0	98,0	484,0	99,6	478,0	101,4	472,0	103,2	466,0	105,0	
	11 °C	528,0	92,4	524,0	94,0	518,0	95,6	514,0	97,2	508,0	98,8	502,0	100,6	498,0	102,4	492,0	104,2	486,0	106,0	
	12 °C	548,0	93,4	544,0	95,0	538,0	96,6	534,0	98,2	528,0	99,8	522,0	101,6	516,0	103,2	512,0	105,0	506,0	106,8	
	13 °C	570,0	94,4	564,0	96,0	560,0	97,6	554,0	99,2	548,0	100,8	544,0	102,6	538,0	104,2	532,0	106,0	526,0	107,8	
	14 °C	592,0	95,6	586,0	97,0	582,0	98,6	576,0	100,2	570,0	101,8	564,0	103,6	558,0	105,2	552,0	107,0	546,0	108,8	
	15 °C	614,0	96,6	610,0	98,2	604,0	99,8	598,0	101,2	592,0	103,0	586,0	104,6	580,0	106,2	574,0	108,0	568,0	109,8	
	EBSV - 240A.2	6 °C	470,0	94,6	466,0	96,4	460,0	98,2	454,0	100,0	450,0	101,8	444,0	103,8	440,0	105,8	434,0	107,8	428,0	110,0
		7 °C	488,0	95,4	484,0	97,0	478,0	98,8	474,0	100,6	468,0	102,6	462,0	104,4	458,0	106,4	452,0	108,6	446,0	110,6
		8 °C	508,0	96,0	504,0	97,8	498,0	99,6	492,0	101,4	486,0	103,2	482,0	105,2	476,0	107,2	470,0	109,2	464,0	111,4
		9 °C	528,0	96,8	522,0	98,6	518,0	100,2	512,0	102,0	506,0	104,0	500,0	105,8	494,0	107,8	488,0	109,8	484,0	112,0
		10 °C	548,0	97,6	544,0	99,2	538,0	101,0	532,0	102,8	526,0	104,6	520,0	106,6	514,0	108,6	508,0	110,6	502,0	112,6
11 °C		570,0	98,4	564,0	100,0	558,0	101,8	552,0	103,6	546,0	105,4	540,0	107,4	534,0	109,2	528,0	111,4	522,0	113,4	
12 °C		592,0	99,2	586,0	101,0	580,0	102,6	574,0	104,4	568,0	106,2	562,0	108,2	556,0	110,0	550,0	112,0	542,0	114,2	
13 °C		614,0	100,2	608,0	101,8	602,0	103,4	596,0	105,2	590,0	107,0	584,0	109,0	576,0	110,8	570,0	113,0	564,0	115,0	
14 °C		638,0	101,0	632,0	102,8	626,0	104,4	618,0	106,2	612,0	108,0	606,0	109,8	598,0	111,8	592,0	113,8	586,0	115,8	
15 °C		662,0	102,0	656,0	103,6	648,0	105,4	642,0	107,0	636,0	108,8	628,0	110,8	622,0	112,6	614,0	114,6	608,0	116,6	
EBSV - 300A.2		6 °C	602,0	120,0	594,0	122,2	588,0	124,4	582,0	126,8	574,0	129,2	568,0	131,6	562,0	134,2	554,0	136,8	548,0	139,4
		7 °C	626,0	121,0	620,0	123,2	612,0	125,4	606,0	127,6	598,0	130,0	592,0	132,6	584,0	135,0	578,0	137,6	570,0	140,4
		8 °C	652,0	122,0	644,0	124,2	638,0	126,4	630,0	128,6	624,0	131,0	616,0	133,4	608,0	136,0	602,0	138,6	594,0	141,4
		9 °C	678,0	123,0	670,0	125,2	662,0	127,4	656,0	129,6	648,0	132,0	640,0	134,4	634,0	137,0	626,0	139,6	618,0	142,4
		10 °C	704,0	124,0	696,0	126,2	690,0	128,4	682,0	130,8	674,0	133,0	666,0	135,6	658,0	138,0	652,0	140,6	644,0	143,4
	11 °C	732,0	125,2	724,0	127,4	716,0	129,6	708,0	131,8	702,0	134,2	694,0	136,6	686,0	139,2	678,0	141,6	670,0	144,4	
	12 °C	760,0	126,4	752,0	128,4	744,0	130,6	736,0	133,0	728,0	135,2	720,0	137,6	712,0	140,2	704,0	142,8	696,0	145,4	
	13 °C	790,0	127,4	782,0	129,6	774,0	131,8	766,0	134,0	758,0	136,4	748,0	138,8	740,0	141,2	732,0	143,8	724,0	146,6	
	14 °C	820,0	128,6	812,0	130,8	804,0	133,0	796,0	135,2	786,0	137,6	778,0	140,0	770,0	142,4	760,0	145,0	752,0	147,6	
	15 °C	852,0	130,0	842,0	132,0	834,0	134,2	826,0	136,4	816,0	138,8	808,0	141,2	800,0	143,6	790,0	146,2	782,0	148,8	

N₀= Power input (kW) Kompresör mil gücü

Q= Cooling capacity (kW) Soğutma kapasitesi

Capacity Table (kW) Kapasite Tablosu

R134A

CHILLED WATER LEAVING SU ÇIKIŞI	CONDENSER ENTERING WATER TEMP. / KONDENSERE SU GİRİŞ SICAKLIĞI																		
	25 °C		26 °C		27 °C		28 °C		29 °C		30 °C		31 °C		32 °C		33 °C		
	Q	N ₀	Q	N ₀	Q	N ₀	Q	N ₀	Q	N ₀	Q	N ₀	Q	N ₀	Q	N ₀	Q	N ₀	
EBSV - 350A.2	6 °C	684,0	136,6	678,0	139,0	670,0	141,6	662,0	144,2	654,0	147,0	646,0	149,8	638,0	152,6	630,0	155,6	622,0	158,8
	7 °C	712,0	137,6	704,0	140,2	696,0	142,6	690,0	145,4	682,0	148,0	674,0	150,8	666,0	153,8	658,0	156,8	650,0	159,8
	8 °C	742,0	138,8	734,0	141,2	726,0	143,8	718,0	146,4	710,0	149,2	700,0	152,0	692,0	154,8	684,0	157,8	676,0	160,8
	9 °C	770,0	140,0	762,0	142,4	754,0	145,0	746,0	147,6	738,0	150,4	730,0	153,0	720,0	156,0	712,0	159,0	704,0	162,0
	10 °C	802,0	141,2	794,0	143,6	784,0	146,2	776,0	148,8	768,0	151,4	758,0	154,2	750,0	157,2	742,0	160,0	732,0	163,2
EBSV - 350A.2	11 °C	834,0	142,4	824,0	145,0	816,0	147,4	806,0	150,0	798,0	152,8	790,0	155,4	780,0	158,4	772,0	161,2	762,0	164,4
	12 °C	866,0	143,8	856,0	146,2	848,0	148,8	838,0	151,2	830,0	154,0	820,0	156,8	812,0	159,6	802,0	162,6	792,0	165,6
	13 °C	898,0	145,2	890,0	147,6	880,0	150,0	872,0	152,6	862,0	155,2	852,0	158,0	842,0	160,8	834,0	163,8	824,0	166,8
	14 °C	934,0	146,4	924,0	148,8	914,0	151,4	906,0	154,0	896,0	156,6	886,0	159,4	876,0	162,2	866,0	165,0	856,0	168,0
	15 °C	968,0	147,8	960,0	150,2	950,0	152,8	940,0	155,2	930,0	158,0	920,0	160,6	910,0	163,4	900,0	166,4	890,0	169,4
EBSV - 410A.2	6 °C	814,0	160,6	804,0	163,4	796,0	166,4	786,0	169,4	778,0	172,6	768,0	176,0	758,0	179,4	750,0	182,8	740,0	186,4
	7 °C	846,0	161,6	838,0	164,4	828,0	167,4	820,0	170,4	810,0	173,6	800,0	176,8	790,0	180,2	780,0	183,8	770,0	187,4
	8 °C	880,0	162,4	872,0	165,4	862,0	168,2	852,0	171,4	842,0	174,6	832,0	177,8	822,0	181,2	812,0	184,8	802,0	188,4
	9 °C	916,0	163,4	906,0	166,2	896,0	169,2	886,0	172,2	876,0	175,4	866,0	178,8	856,0	182,0	846,0	185,6	836,0	189,2
	10 °C	952,0	164,6	942,0	167,2	932,0	170,2	922,0	173,2	912,0	176,4	900,0	179,6	890,0	183,0	880,0	186,4	870,0	190,0
EBSV - 410A.2	11 °C	988,0	165,6	978,0	168,2	968,0	171,2	958,0	174,0	948,0	177,2	936,0	180,4	926,0	183,8	914,0	187,4	904,0	191,0
	12 °C	1026,0	166,6	1016,0	169,2	1006,0	172,0	994,0	175,0	984,0	178,0	974,0	181,2	962,0	184,6	950,0	188,2	940,0	191,8
	13 °C	1066,0	167,6	1054,0	170,2	1044,0	173,0	1034,0	175,8	1022,0	179,0	1010,0	182,2	1000,0	185,4	988,0	188,8	976,0	192,4
	14 °C	1106,0	168,8	1094,0	171,2	1084,0	174,0	1072,0	176,8	1062,0	179,8	1050,0	182,8	1038,0	186,2	1026,0	189,6	1014,0	193,2
	15 °C	1148,0	169,8	1136,0	172,2	1124,0	174,8	1114,0	177,6	1102,0	180,6	1090,0	183,6	1078,0	187,0	1066,0	190,4	1054,0	193,8
EBSV - 475A.2	6 °C	940,0	182,2	932,0	185,6	922,0	188,8	912,0	192,2	902,0	195,6	892,0	199,2	882,0	202,6	872,0	206,2	862,0	210,0
	7 °C	980,0	183,6	970,0	186,8	960,0	190,2	950,0	193,6	940,0	197,0	930,0	200,4	920,0	204,0	908,0	207,6	898,0	211,2
	8 °C	1020,0	184,8	1010,0	188,2	1000,0	191,4	990,0	194,8	980,0	198,4	970,0	201,8	958,0	205,4	948,0	209,0	936,0	212,6
	9 °C	1060,0	186,2	1052,0	189,6	1042,0	192,8	1030,0	196,2	1020,0	199,8	1010,0	203,2	998,0	206,8	986,0	210,4	974,0	214,0
	10 °C	1104,0	187,6	1094,0	191,0	1084,0	194,4	1072,0	197,8	1062,0	201,2	1050,0	204,6	1038,0	208,2	1028,0	211,8	1014,0	215,6
EBSV - 475A.2	11 °C	1148,0	189,2	1138,0	192,6	1126,0	195,8	1116,0	199,2	1104,0	202,8	1092,0	206,2	1082,0	209,8	1068,0	213,4	1056,0	217,0
	12 °C	1194,0	190,8	1182,0	194,0	1172,0	197,4	1160,0	200,8	1148,0	204,4	1136,0	207,8	1124,0	211,4	1112,0	215,0	1100,0	218,6
	13 °C	1240,0	192,4	1230,0	195,8	1218,0	199,0	1206,0	202,6	1194,0	206,0	1182,0	209,4	1170,0	213,0	1156,0	216,6	1144,0	220,4
	14 °C	1288,0	194,0	1278,0	197,4	1266,0	200,8	1254,0	204,2	1242,0	207,8	1228,0	211,2	1216,0	214,8	1202,0	218,4	1188,0	222,2
	15 °C	1338,0	195,8	1326,0	199,2	1314,0	202,6	1302,0	206,0	1290,0	209,6	1276,0	213,0	1264,0	216,6	1250,0	220,2	1236,0	224,0

N₀ = Power input (kW) Kompresör mil gücü

Q = Cooling capacity (kW) Soğutma kapasitesi

Capacity Table (kW) Kapasite Tablosu

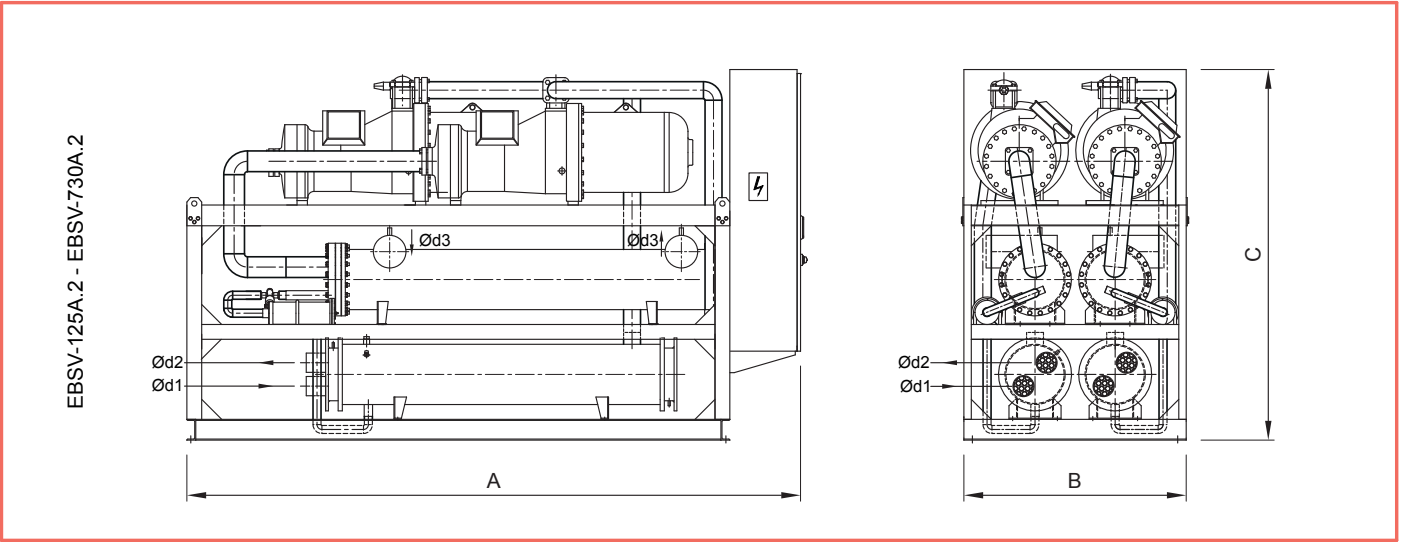
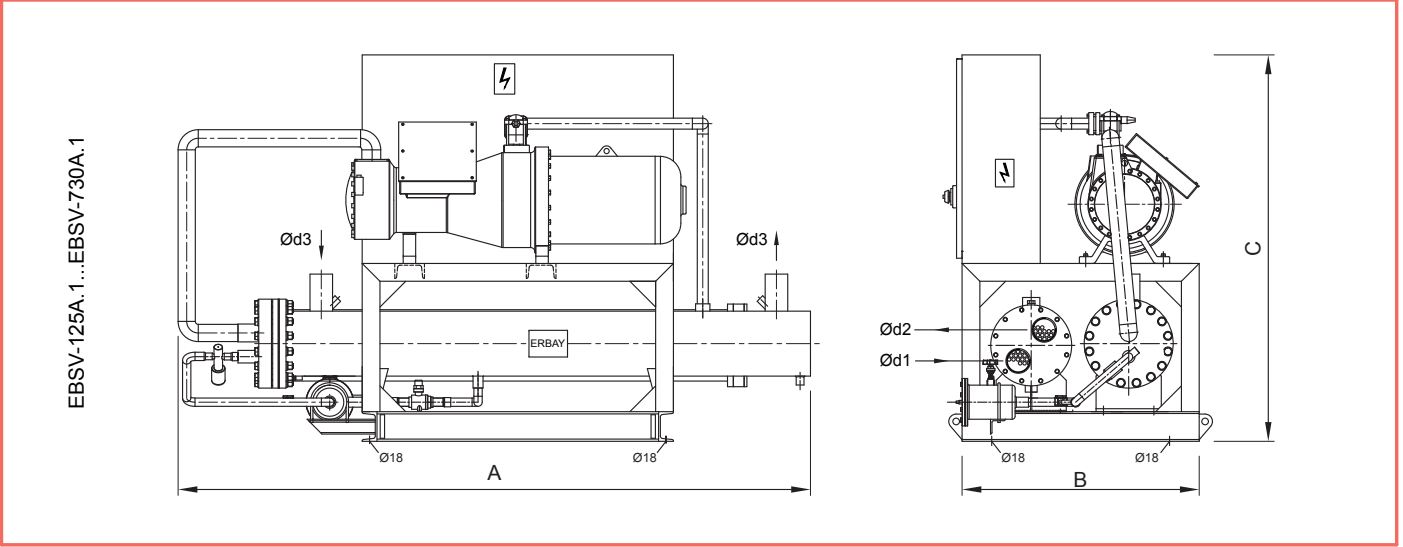
R134A

TYPE ÇİHAZ TİPİ	CONDENSER ENTERING WATER TEMP. / KONDENSERE SU GİRİŞ SICAKLIĞI / CONDENSER ENTERING AIR TEMP. / KONDENSERE HAVASIN SICAKLIĞI																			
	25 °C		26 °C		27 °C		28 °C		29 °C		30 °C		31 °C		32 °C		33 °C			
	Q	N ₀	Q	N ₀	Q	N ₀	Q	N ₀	Q	N ₀	Q	N ₀	Q	N ₀	Q	N ₀	Q	N ₀		
CHILLED WATER LEAVING SU ÇIKIŞI	6 °C	1.080,0	208,0	1.068,0	212,0	1.058,0	216,0	1.046,0	220,2	1.036,0	224,4	1.024,0	228,8	1.014,0	233,2	1.002,0	237,8	990,0	242,6	
	7 °C	1.122,0	209,4	1.112,0	213,4	1.100,0	217,4	1.088,0	221,6	1.078,0	225,8	1.066,0	230,2	1.054,0	234,6	1.042,0	239,2	1.030,0	243,8	
	8 °C	1.168,0	210,6	1.156,0	214,6	1.144,0	218,6	1.132,0	222,8	1.120,0	227,2	1.108,0	231,4	1.096,0	236,0	1.084,0	240,6	1.072,0	245,2	
	9 °C	1.212,0	212,0	1.200,0	216,0	1.190,0	220,0	1.178,0	224,2	1.166,0	228,4	1.152,0	232,8	1.140,0	237,4	1.128,0	242,0	1.116,0	246,6	
	10 °C	1.260,0	213,2	1.248,0	217,2	1.236,0	221,4	1.224,0	225,4	1.210,0	229,8	1.198,0	234,2	1.186,0	238,6	1.172,0	243,2	1.160,0	248,0	
	11 °C	1.308,0	214,6	1.296,0	218,6	1.284,0	222,6	1.270,0	226,8	1.258,0	231,2	1.246,0	235,6	1.232,0	240,0	1.220,0	244,6	1.206,0	249,4	
	12 °C	1.358,0	216,0	1.346,0	219,8	1.332,0	224,0	1.320,0	228,2	1.306,0	232,4	1.294,0	236,8	1.280,0	241,4	1.266,0	246,0	1.252,0	250,8	
	13 °C	1.410,0	217,2	1.396,0	221,2	1.384,0	225,2	1.370,0	229,4	1.356,0	233,8	1.344,0	238,2	1.330,0	242,8	1.316,0	247,4	1.302,0	252,2	
	14 °C	1.462,0	218,6	1.450,0	222,6	1.436,0	226,6	1.422,0	230,8	1.408,0	235,2	1.394,0	239,6	1.380,0	244,0	1.366,0	248,8	1.352,0	253,4	
	15 °C	1.518,0	220,0	1.504,0	223,8	1.490,0	228,0	1.476,0	232,2	1.462,0	236,4	1.446,0	240,8	1.432,0	245,4	1.418,0	250,0	1.402,0	254,8	
	EBSV - 550A.2	6 °C	1.226,0	235,2	1.214,0	239,6	1.202,0	244,2	1.190,0	249,0	1.176,0	253,8	1.164,0	258,6	1.152,0	263,6	1.138,0	268,8	1.126,0	274,2
		7 °C	1.276,0	236,6	1.262,0	241,2	1.250,0	245,8	1.238,0	250,4	1.224,0	255,2	1.212,0	260,2	1.198,0	265,2	1.184,0	270,4	1.172,0	275,8
		8 °C	1.326,0	238,2	1.314,0	242,6	1.300,0	247,2	1.286,0	251,8	1.274,0	256,8	1.260,0	261,6	1.246,0	266,8	1.232,0	272,0	1.218,0	277,2
		9 °C	1.378,0	239,6	1.364,0	244,0	1.352,0	248,6	1.338,0	253,4	1.324,0	258,2	1.310,0	263,2	1.296,0	268,2	1.282,0	273,4	1.268,0	278,8
		10 °C	1.432,0	241,0	1.418,0	245,6	1.404,0	250,2	1.390,0	254,8	1.376,0	259,8	1.362,0	264,8	1.348,0	269,8	1.332,0	275,0	1.318,0	280,4
11 °C		1.486,0	242,6	1.472,0	247,0	1.458,0	251,6	1.444,0	256,4	1.430,0	261,2	1.414,0	266,2	1.400,0	271,4	1.386,0	276,6	1.370,0	282,0	
12 °C		1.544,0	244,0	1.528,0	248,6	1.514,0	253,2	1.500,0	258,0	1.484,0	262,8	1.470,0	267,8	1.454,0	272,8	1.440,0	278,2	1.424,0	283,4	
13 °C		1.602,0	245,6	1.586,0	250,0	1.572,0	254,6	1.556,0	259,4	1.542,0	264,2	1.526,0	269,2	1.510,0	274,4	1.494,0	279,6	1.478,0	285,0	
14 °C		1.662,0	247,0	1.646,0	251,6	1.632,0	256,2	1.616,0	261,0	1.600,0	265,8	1.584,0	270,8	1.568,0	276,0	1.552,0	281,2	1.536,0	286,6	
15 °C		1.724,0	248,6	1.708,0	253,0	1.692,0	257,6	1.676,0	262,4	1.660,0	267,4	1.644,0	272,4	1.628,0	277,4	1.610,0	282,8	1.594,0	288,0	
EBSV - 620A.2		6 °C	1.448,0	290,0	1.432,0	295,4	1.418,0	301,0	1.404,0	306,8	1.388,0	312,4	1.372,0	318,2	1.358,0	324,2	1.342,0	330,2	1.326,0	336,4
		7 °C	1.506,0	291,8	1.492,0	297,4	1.476,0	303,0	1.460,0	308,8	1.444,0	314,6	1.430,0	320,4	1.414,0	326,4	1.398,0	332,4	1.382,0	338,6
		8 °C	1.566,0	293,6	1.550,0	299,2	1.536,0	305,0	1.520,0	310,8	1.504,0	316,6	1.488,0	322,6	1.472,0	328,6	1.454,0	334,6	1.438,0	340,8
		9 °C	1.628,0	295,4	1.612,0	301,2	1.596,0	307,0	1.580,0	312,8	1.564,0	318,8	1.548,0	324,8	1.530,0	330,8	1.514,0	337,0	1.496,0	343,2
		10 °C	1.692,0	297,2	1.676,0	303,0	1.660,0	309,0	1.642,0	315,0	1.626,0	321,0	1.608,0	327,0	1.592,0	333,2	1.574,0	339,4	1.558,0	345,6
	11 °C	1.758,0	299,0	1.742,0	305,0	1.724,0	311,0	1.708,0	317,0	1.690,0	323,0	1.672,0	329,2	1.654,0	335,4	1.638,0	341,6	1.620,0	348,0	
	12 °C	1.826,0	300,8	1.810,0	306,8	1.792,0	313,0	1.774,0	319,2	1.756,0	325,2	1.738,0	331,6	1.720,0	337,8	1.702,0	344,0	1.684,0	350,4	
	13 °C	1.896,0	302,6	1.878,0	308,8	1.860,0	315,0	1.842,0	321,2	1.824,0	327,6	1.806,0	333,8	1.788,0	340,2	1.768,0	346,6	1.750,0	353,0	
	14 °C	1.968,0	304,4	1.950,0	310,6	1.932,0	317,0	1.914,0	323,4	1.894,0	329,8	1.876,0	336,2	1.856,0	342,6	1.836,0	349,0	1.818,0	355,4	
	15 °C	2.042,0	306,0	2.024,0	312,6	2.006,0	319,0	1.986,0	325,6	1.966,0	332,0	1.946,0	338,4	1.928,0	345,0	1.908,0	351,4	1.888,0	358,0	
	EBSV - 730A.2	6 °C	1.448,0	290,0	1.432,0	295,4	1.418,0	301,0	1.404,0	306,8	1.388,0	312,4	1.372,0	318,2	1.358,0	324,2	1.342,0	330,2	1.326,0	336,4
		7 °C	1.506,0	291,8	1.492,0	297,4	1.476,0	303,0	1.460,0	308,8	1.444,0	314,6	1.430,0	320,4	1.414,0	326,4	1.398,0	332,4	1.382,0	338,6
		8 °C	1.566,0	293,6	1.550,0	299,2	1.536,0	305,0	1.520,0	310,8	1.504,0	316,6	1.488,0	322,6	1.472,0	328,6	1.454,0	334,6	1.438,0	340,8
		9 °C	1.628,0	295,4	1.612,0	301,2	1.596,0	307,0	1.580,0	312,8	1.564,0	318,8	1.548,0	324,8	1.530,0	330,8	1.514,0	337,0	1.496,0	343,2
		10 °C	1.692,0	297,2	1.676,0	303,0	1.660,0	309,0	1.642,0	315,0	1.626,0	321,0	1.608,0	327,0	1.592,0	333,2	1.574,0	339,4	1.558,0	345,6
11 °C		1.758,0	299,0	1.742,0	305,0	1.724,0	311,0	1.708,0	317,0	1.690,0	323,0	1.672,0	329,2	1.654,0	335,4	1.638,0	341,6	1.620,0	348,0	
12 °C		1.826,0	300,8	1.810,0	306,8	1.792,0	313,0	1.774,0	319,2	1.756,0	325,2	1.738,0	331,6	1.720,0	337,8	1.702,0	344,0	1.684,0	350,4	
13 °C		1.896,0	302,6	1.878,0	308,8	1.860,0	315,0	1.842,0	321,2	1.824,0	327,6	1.806,0	333,8	1.788,0	340,2	1.768,0	346,6	1.750,0	353,0	
14 °C		1.968,0	304,4	1.950,0	310,6	1.932,0	317,0	1.914,0	323,4	1.894,0	329,8	1.876,0	336,2	1.856,0	342,6	1.836,0	349,0	1.818,0	355,4	
15 °C		2.042,0	306,0	2.024,0	312,6	2.006,0	319,0	1.986,0	325,6	1.966,0	332,0	1.946,0	338,4	1.928,0	345,0	1.908,0	351,4	1.888,0	358,0	

N₀= Power input (kW) Kompresör mil gücü

Q= Cooling capacity (kW) Soğutma kapasitesi

Dimensions *Boyutlar*



TYPE CİHAZ TİPİ	EBSV- 125A.1	EBSV- 170A.1	EBSV- 195A.1	EBSV- 225A.1	EBSV- 240A.1	EBSV- 300A.1	EBSV- 350A.1	EBSV- 410A.1	EBSV- 475A.1	EBSV- 550A.1	EBSV- 620A.1	EBSV- 730A.1
A	2300	2300	2600	2600	2900	2900	2900	3200	3250	3500	3700	4000
B	1050	1050	1100	1100	1250	1250	1250	1250	1400	1400	1400	1450
C	1415	1415	1585	1585	1650	1650	1650	1650	1800	1800	1800	1800
d1	DN65	DN65	DN80	DN80	DN100	DN100	DN100	DN100	DN125	DN125	DN150	DN150
d2	DN65	DN65	DN80	DN80	DN100	DN100	DN100	DN100	DN125	DN125	DN150	DN150
d3	DN80	DN80	DN100	DN100	DN125	DN125	DN125	DN125	DN150	DN150	DN200	DN200

TYPE E CİHAZ TİPİ	EBSV- 125A.2	EBSV- 170A.2	EBSV- 195A.2	EBSV- 225A.2	EBSV- 240A.2	EBSV- 300A.2	EBSV- 350A.2	EBSV- 410A.2	EBSV- 475A.2	EBSV- 550A.2	EBSV- 620A.2	EBSV- 730A.2
A	3200	3200	3500	3500	3500	3700	3700	3800	3800	4000	4300	4600
B	1100	1100	1300	1300	1300	1300	1300	1500	1500	1500	1500	1500
C	2200	2200	2400	2400	2400	2500	2500	2650	2650	2650	2650	2650
d1	2 x DN65	2 x DN65	2 x DN80	2 x DN80	2 x DN100	2 x DN100	2 x DN100	2 x DN100	2 x DN125	2 x DN125	2 x DN150	2 x DN150
d2	2 x DN65	2 x DN65	2 x DN80	2 x DN80	2 x DN100	2 x DN100	2 x DN100	2 x DN100	2 x DN125	2 x DN125	2 x DN150	2 x DN150
d3	DN125	DN125	DN125	DN150	DN150	DN200	DN200	2 x DN125	2 x DN150	2 x DN150	2 x DN200	2 x DN200

Note : We reserve the right to make changes in dimensions and design at any time, without notice
 Not : Ölçü ve tasarım değişikliğine hakkımız mahfuzdur.